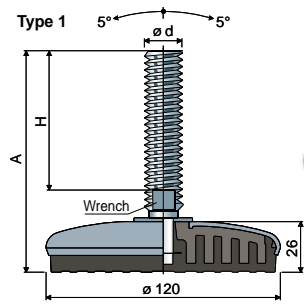


Adjustable feet, sanitizable

(base in stainless steel)

Ø 120 Part. 110

Type 1							
Spindle measures in mm			Spindle and base in stainless steel AISI 304				
Ød	A	H	Wrench	Black	White	Blue Ral 5005	Max static load (N)
				anti-slip pad	anti-slip pad	anti-slip pad	
				Code	Code	Code	
M12x1,75	110	70	19	110 / 83574	110 / 85949	110 / 88260	17000
M14x2	148	108	12	110 / 83575	110 / 85950	110 / 88261	
	102	58	13	110 / 83576	110 / 85951	110 / 88262	
M16x2	133	89	13	110 / 89340	110 / 89341	110 / 89342	
	163	119	13	110 / 83577	110 / 85952	110 / 88263	
	189	145	13	110 / 83578	110 / 85953	110 / 88264	
M18x2,5	245	201	13	110 / 83579	110 / 85954	110 / 88265	
	201	157	15	110 / 83580	110 / 85955	110 / 88266	
M20x2,5	135	89	17	110 / 87343	110 / 87344	110 / 88267	30000
	153	107	17	110 / 83581	110 / 85956	110 / 88268	
	182	136	17	110 / 83582	110 / 85957	110 / 88269	
	203	157	17	110 / 83583	110 / 85958	110 / 88270	
M24x3	236	190	17	110 / 83584	110 / 85959	110 / 88271	
	284	238	17	110 / 83585	110 / 85960	110 / 88272	
	139	90	19	110 / 83586	110 / 85961	110 / 88273	
	176	127	19	110 / 83587	110 / 85962	110 / 88274	
M30x3,5	211	162	19	110 / 83588	110 / 85963	110 / 88275	
	251	202	19	110 / 83589	110 / 85964	110 / 88276	
M30x3,5	174	125	24	110 / 83590	110 / 85965	110 / 88277	
	234	185	24	110 / 83591	110 / 85966	110 / 88278	

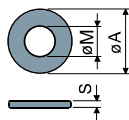


Base material: Internal part made of reinforced polyamide; external covering made of stainless steel AISI 304; anti-slip pad made of thermoplastic rubber 68 Shore black, white or blue Ral 5005 colour.

Features: Co-moulded anti-slip pad allows a perfect adherence with steel base. Consequent absence of internal cavities makes foot extremely cleanable. Feet with M12 spindle diameter are supplied with hexagonal adjustment for 19 mm. wrench.

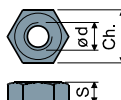
Box quantity: 8 pieces.

Washers UNI 6592-69 - Box quantity: 24 pieces.



ØM	M12	M14	M16	M20	M24	M30
Smm	2,5	2,5	3	3	4	4
ØAmm	24	28	30	37	44	56
Stainless steel codes	7287	7288	7291	7292	7294	7296

Nuts UNI 5588-65 - Box quantity: 24 pieces.

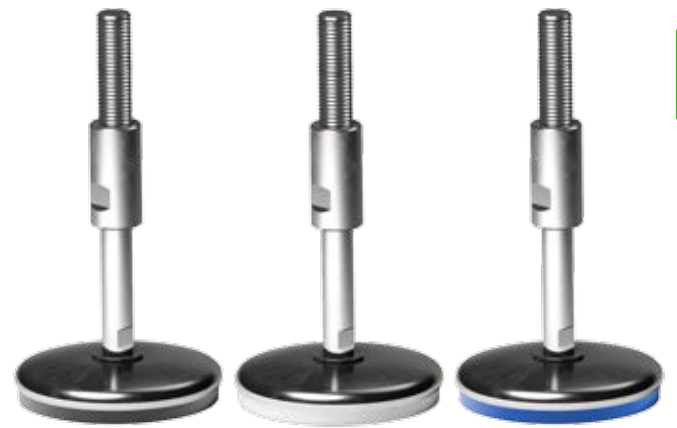
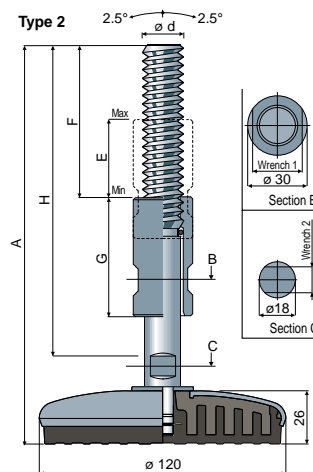


Ø d	M12	M14	M16	M20	M24	M30
Smm	10	11	13	16	19	24
Ch. mm	19	22	24	30	36	46
Stainless steel codes	7273	7274	7277	7278	7280	7282

On request

- Spindles with: Sunk hexagon head • second wrench seat head • hexagon wrench seat • threads with other pitches and lengths • stainless steel AISI 316.
- Anti-slip pads: In thermoplastic rubber 68 SHORE blue RAL 5005 FDA APPROVED.
- Assembling of: Nuts • washers.
- Box quantity: According to your request.

Ø 120 Part. 110



Type 2											
Spindle measures in mm					Spindle and base in stainless steel AISI 304						
Ød	A	H	F	E	G	Wrench 1	Wrench 2	Black	White	Blue Ral 5005	Max static load (N)
								anti-slip pad	anti-slip pad	anti-slip pad	
								Code	Code	Code	
M16x2	200	159	73	39	60	22	12	110 / 88048	110 / 88050	110 / 88279	
	260	220	100	78	100	22	12	110 / 88049	110 / 88051	110 / 88280	
M20x2,5	200	159	73	39	60	25	13	110 / 84136	110 / 85967	110 / 88281	30000
	260	220	100	78	100	25	13	110 / 84195	110 / 85968	110 / 88282	
M24x3	200	159	73	39	60	30	17	110 / 88052	110 / 88054	110 / 88283	
	260	220	100	78	100	30	17	110 / 88053	110 / 88055	110 / 88284	

Base material: Internal part made of reinforced polyamide; external covering made of stainless steel AISI 304; anti-slip pad made of thermoplastic rubber 68 Shore black, white or blue Ral 5005 colour.

Features: Co-moulded anti-slip pad allows a perfect adherence with steel base. Consequent absence of internal cavities makes foot extremely cleanable. The threaded insert guarantees the protection of the spindle thread.

Box quantity: 8 pieces.

On request

- Spindles with: Stainless steel AISI 316.
- Anti-slip pads: In thermoplastic rubber 68 SHORE blue RAL 5005 FDA APPROVED.
- Box quantity: According to your request.