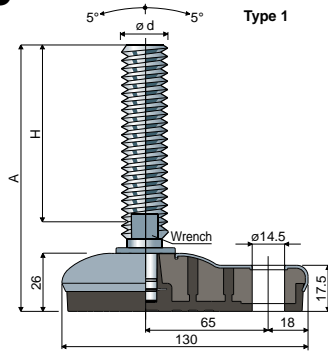


# Adjustable feet, sanitizable with side fixing system

(base in stainless steel)

## Part. 112 95x130



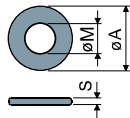
Spindle measures in mm		Spindle and base in stainless steel AISI 304				Max static load (N)		
$\varnothing d$	A	H	Wrench	Black anti-slip pad Code	White anti-slip pad Code		Blue Ral 5005 anti-slip pad Code	
M12x1,75	111	70	17	112 / 83744	112 / 85928	112 / 88235	17000	
M14x2	150	108	12	112 / 83745	112 / 85929	112 / 88236		
M16x2	103	58	13	112 / 83746	112 / 85930	112 / 88237		
	164	119	13	112 / 83747	112 / 85931	112 / 88238		
	190	145	13	112 / 83748	112 / 85932	112 / 88239		
M18x2,5	246	201	13	112 / 83749	112 / 85933	112 / 88240		
	136	89	17	112 / 83750	112 / 85934	112 / 88241		
	154	107	17	112 / 83751	112 / 87342	112 / 88242		
M20x2,5	183	136	17	112 / 83752	112 / 84222	112 / 88243		27000
	204	157	17	112 / 83753	112 / 85936	112 / 88245		
	237	190	17	112 / 83754	112 / 85937	112 / 88246		
	285	238	17	112 / 83755	112 / 85938	112 / 88247		
M24x3	141	90	19	112 / 83756	112 / 85939	112 / 88248	27000	
	178	127	19	112 / 83757	112 / 85940	112 / 88249		
	213	162	19	112 / 83758	112 / 85941	112 / 88250		
M30x3,5	252	201	19	112 / 83759	112 / 85942	112 / 88251	27000	
	176	125	24	112 / 83760	112 / 85943	112 / 88252		
	236	185	24	112 / 83761	112 / 84223	112 / 88253		

Base material: Internal part made of reinforced polyamide; external covering made of stainless steel AISI 304; anti-slip pad made of thermoplastic rubber 68 Shore black, white or blue Ral 5005 colour.

Box quantity: 8 pieces.

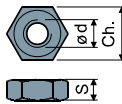
Features: Co-moulded anti-slip pad allows a perfect adherence with steel base. Consequent absence of internal cavities makes foot extremely cleanable. The threaded insert guarantees the protection of the spindle thread. Feet with M12 spindle diameter are supplied with hexagonal adjustment for 17 mm. wrench.

Washers UNI 6592-69 - Box quantity: 24 pieces.



$\varnothing M$	M12	M14	M16	M20	M24	M30
Smm	2,5	2,5	3	3	4	4
$\varnothing A$ mm	24	28	30	37	44	56
Stainless steel codes	7287	7288	7291	7292	7294	7296

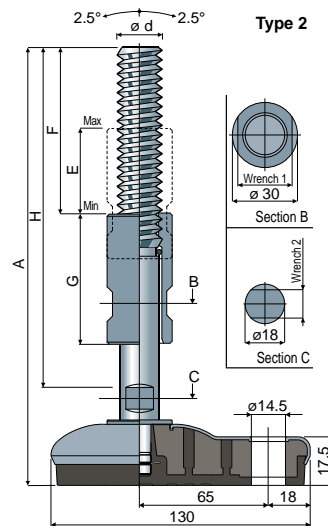
Nuts UNI 5588-65 - Box quantity: 24 pieces.



$\varnothing d$	M12	M14	M16	M20	M24	M30
Smm	10	11	13	16	19	24
Ch. mm	19	22	24	30	36	46
Stainless steel codes	7273	7274	7277	7278	7280	7282

On request

- Spindles with: Sunk hexagon head • second wrench seat head • hexagon wrench seat • threads with other pitches and lengths • stainless steel AISI 316.
- Box quantity: Not standard.
- Assembling of: Nuts • washers.



Spindle measures in mm		Spindle and base in stainless steel AISI 304				Max static load (N)					
$\varnothing d$	A	H	F	E	G		Wrench 1	Wrench 2	Black anti-slip pad Code	White anti-slip pad Code	Blue Ral 5005 anti-slip pad Code
M16x2	200	159	73	39	60	22	12	112 / 88040	112 / 88042	112 / 88254	27000
	260	220	100	78	100	22	12	112 / 88041	112 / 88043	112 / 88255	
M20x2,5	200	159	73	39	60	25	13	112 / 84135	112 / 85944	112 / 88256	
	260	220	100	78	100	25	13	112 / 84193	112 / 85945	112 / 88257	
M24x3	200	159	73	39	60	30	17	112 / 88044	112 / 88046	112 / 88258	
	260	220	100	78	100	30	17	112 / 88045	112 / 88047	112 / 88259	