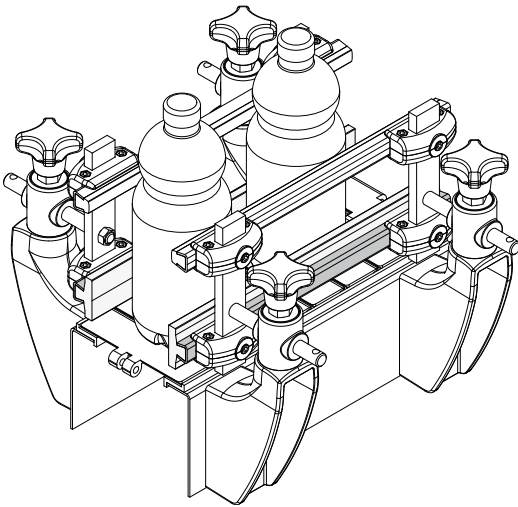


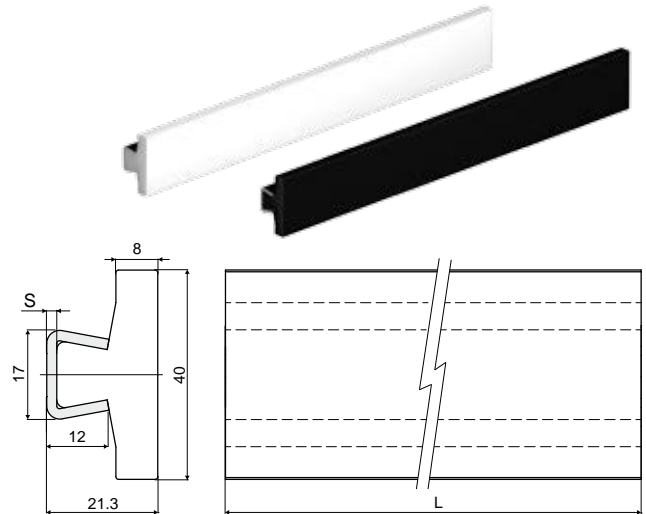
Product / chain guides and accessories

Example of application



Side guide rail, flat type (with metal profile)

Part. **514**



Code	Colour	S	L	Code	Colour	S	L
514 / 87119	Polyethylene natural	1,5	6 Mt.	514 / 90458	Black	1,5	6 Mt.
514 / 87118	Polyethylene natural	1,5	3 Mt.	514 / 88379	Black	1,5	3 Mt.
514 / 87121	Polyethylene natural	2	6 Mt.	514 / 90460	Black	2	6 Mt.
514 / 87120	Polyethylene natural	2	3 Mt.	514 / 90459	Black	2	3 Mt.

MATERIALS: Guide profile in natural polyethylene or black colour; metal profile in stainless steel AISI 304.

FEATURES: Supplied in lengths of 3 or 6 Mt. Min. curvature radius: 200 mm. To be used with clamps Part.232, 484, 347, 205, 412, 413, 410, 411, 439, 230.

BOX QUANTITY:

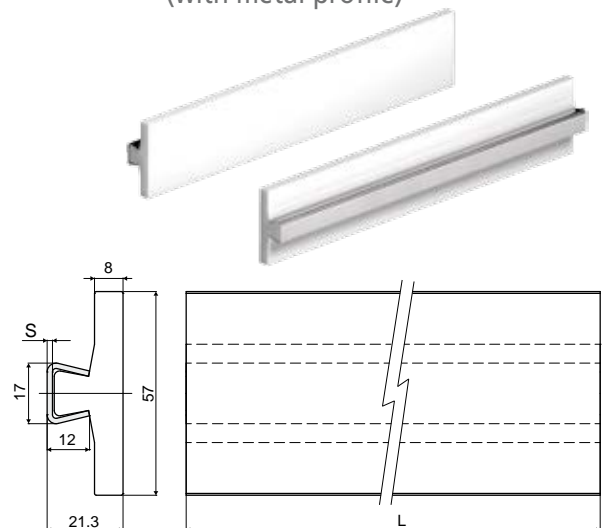
- 3 Mt. lengths version: This item is sold in Mt. - Min. 6 Mt. (2 lengths);
- 6 Mt. lengths version: This item is sold in Mt. - Min. 12 Mt. (2 lengths).

ON REQUEST:

- Box quantity: According to your request.

Side guide rail, flat type (with metal profile)

Part. **485**



Code	S	L
485 / 86163	1,5	6 Mt.
485 / 86164	1,5	3 Mt.
485 / 86165	2	6 Mt.
485 / 86166	2	3 Mt.

MATERIALS: Guide profile in natural polyethylene; metal profile in stainless steel AISI 304.

FEATURES: Supplied in lengths of 3 or 6 Mt. Min. curvature radius: 200 mm. To be used with clamps Part.232, 484, 347, 205, 412, 413, 410, 411, 439, 230.

BOX QUANTITY:

- 3 Mt. lengths version: This item is sold in Mt. - Min. 6 Mt. (2 lengths);
- 6 Mt. lengths version: This item is sold in Mt. - Min. 12 Mt. (2 lengths).

ON REQUEST:

- Box quantity: According to your request.