

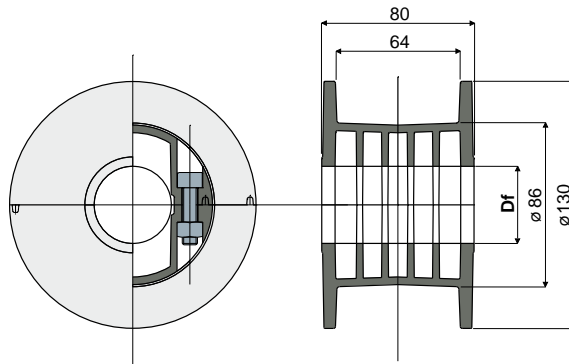
Idler wheels

Split idler wheel 10 teeth

(for chains series 879 TAB, 880 TAB and 881 TAB)

Part. **310**

Df Bore for pin of (mm)	Code
20	310 / 82827
25	310 / 82828
30	310 / 82829
35	310 / 82830
40	310 / 82831



MATERIALS: Wheel made of polyamide black colour; bolts and nuts made of stainless steel AISI 304.

FEATURES: Supplied assembled. To be used with chains Part.710, 711, 713.

BOX QUANTITY: 8 pieces.

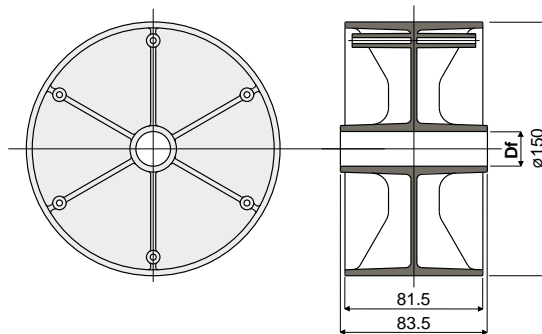
ON REQUEST:

- Wheels: In different colours.
- Box quantity: According to your request.

Idler wheel for chain return

Part. **268**

Df Bore for pin of (mm)	Code
20	268 / 82040



MATERIALS: Wheel in polyamide black colour.

FEATURES: To be assembled in the chain return near to the sprocket.

BOX QUANTITY: 8 pieces.

ON REQUEST:

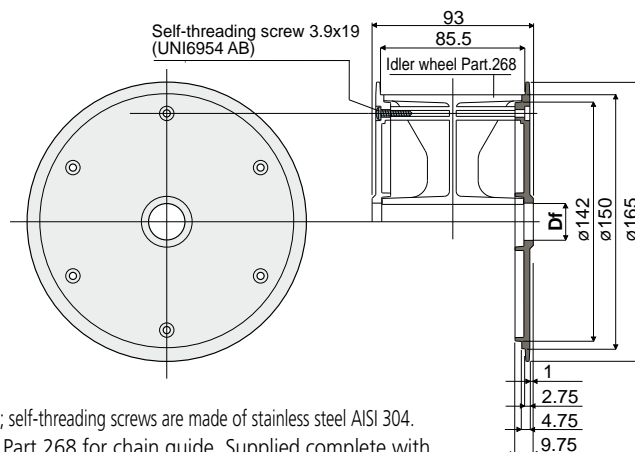
- Wheels: In different colours.
- Box quantity: According to your request.

Flange for chain guide

(for idler wheel Part. 268)

Part. **269**

Df Bore for pin of (mm)	Code
20	269 / 82041



MATERIALS: Flange is made of polyamide black colour; self-threading screws are made of stainless steel AISI 304.

FEATURES: To be assembled to our idler wheel Part.268 for chain guide. Supplied complete with blocking screws.

BOX QUANTITY: 16 pieces.

ON REQUEST:

- Flanges: In different colours.
- Box quantity: According to your request.