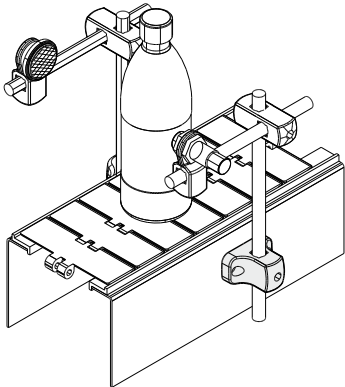
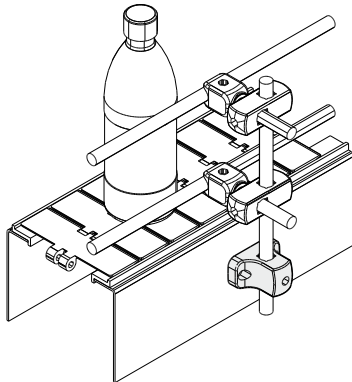


# Clamps

Example of applications

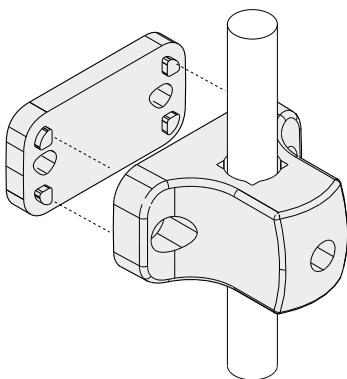


To support photocells



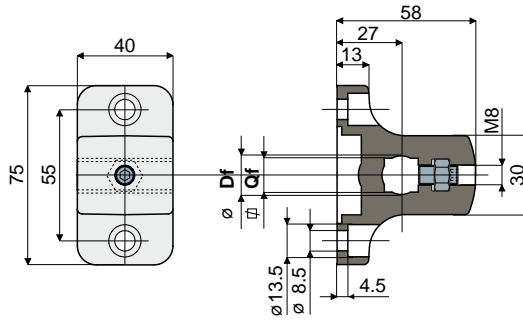
To support guide

Example of application



## "T" clamp Part. 539

(to support rails and photocells)



Bore for pin of		Code
Df round (mm)	Qf square (mm)	
16	14	539 / 89101
18	16	539 / 89102
20	18	539 / 89103

**MATERIALS:** Clamp made of reinforced polyamide black colour; grub screw and nut made of stainless steel AISI 304.

**FEATURES:** This part can be used with round and square pins either.

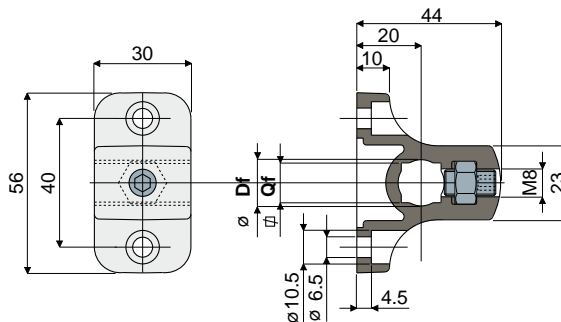
**BOX QUANTITY:** 24 pieces.

**ON REQUEST:**

- Clamps: In different colours.
- Box quantity: According to your request.

## "T" clamp Part. 238

(to support rails and photocells)



Bore for pin of		Code
Df round (mm)	Qf square (mm)	
10	8	238 / 80985
12	10	238 / 80986
14	12	238 / 80987

**MATERIALS:** Clamp made of reinforced polyamide black colour; grub screw and nut made of stainless steel AISI 304.

**FEATURES:** This part can be used with round and square pins either.

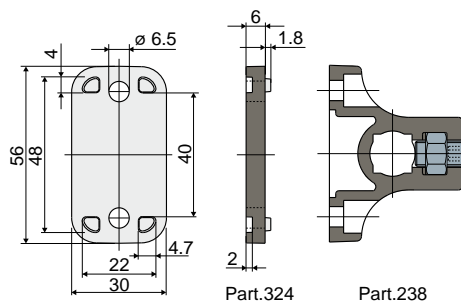
**BOX QUANTITY:** 24 pieces.

**ON REQUEST:**

- Clamps: In different colours.
- Box quantity: According to your request.

## Spacer for clamp Part. 324

(for "T" clamp Part. 238)



Code
324 / 82971

**MATERIALS:** Spacer made of reinforced polyamide black colour.

**FEATURES:** Accessory to be applied to "T" clamp Part.238.

**BOX QUANTITY:** 24 pieces.

**ON REQUEST:**

- Spacers: In different colours.
- Box quantity: According to your request.