



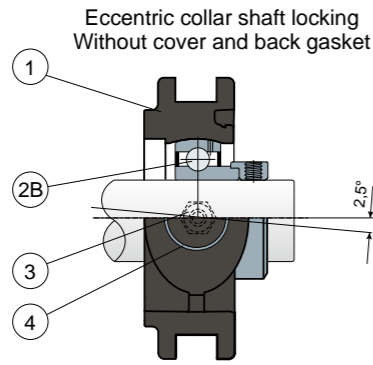
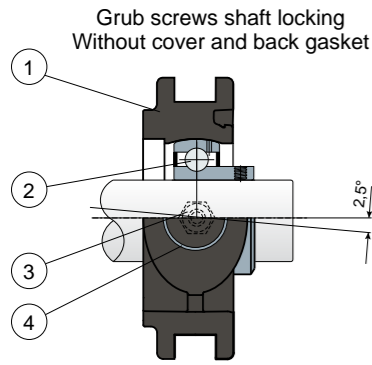
Take-up bearing supports (Solid)

Series **UCT**



S Self-aligning bearings with Solid body: completely closed surface to guarantee the max hygiene.

L Long Life bearings: life long lubrication.



- 1) Housing made out of black, white or blue Ral 5005 colour polyamide reinforced with glass fibers.
- 2) Chrome steel or stainless steel bearing AISI 440.
- 2B) Chrome steel bearing.
- 3) Greaser, straight type with 1/8 gas thread, made out of nickel-plated brass (absent in the versions with Long Life bearing).
- 4) Bushing made of nickel plated brass.

NOTE: The back gasket and the protection cover can be ordered separately as accessories; in the Long Life version, the greaser is absent and the lubrication channel is protected by a rubber cap.

Support dimensions respect ISO 3228 set of rules.
Maximum shaft alignment error 2,5°.
For further information please contact our technical office or sales department.

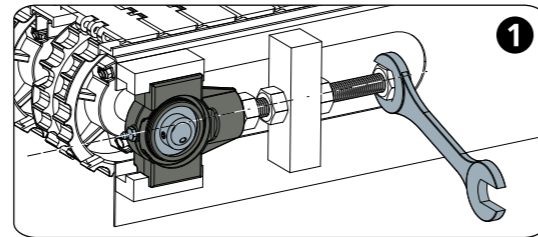
MATERIALS: Housing is made out of PA + glass fiber in black, white or blue Ral 5005 colours; bearing with grub screws shaft locking in chrome steel or stainless steel; bearing with eccentric collar shaft locking in chrome steel; greaser and bushings made out of nickel plated brass; gaskets made out of NBR rubber; cover made out of polypropylene grey Ral 7042, blue Ral 5015, orange Ral 2004 or red Ral 3000 colour.

FEATURES: The back gasket and the protection cover can be ordered separately as accessories. Assembly with shouldered and not shouldered shafts. Maximum shaft alignment error 2,5°.

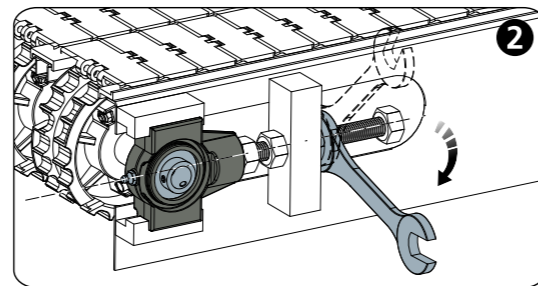
BOX QUANTITY: 8 pieces.

ON REQUEST: Versions with body in polypropylene + glass fiber and anti-bacterial additive; protection covers in different colours and with customized brand; box quantity according to your request; Viton gaskets.

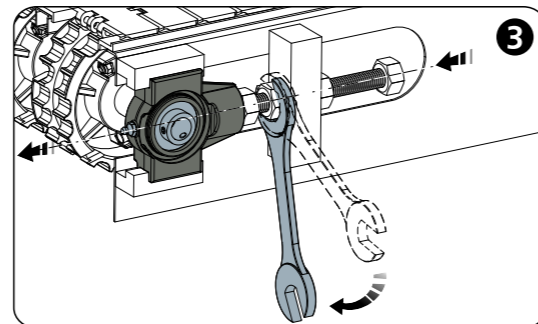
Example of application



Lock the shaft



Unscrew the lock



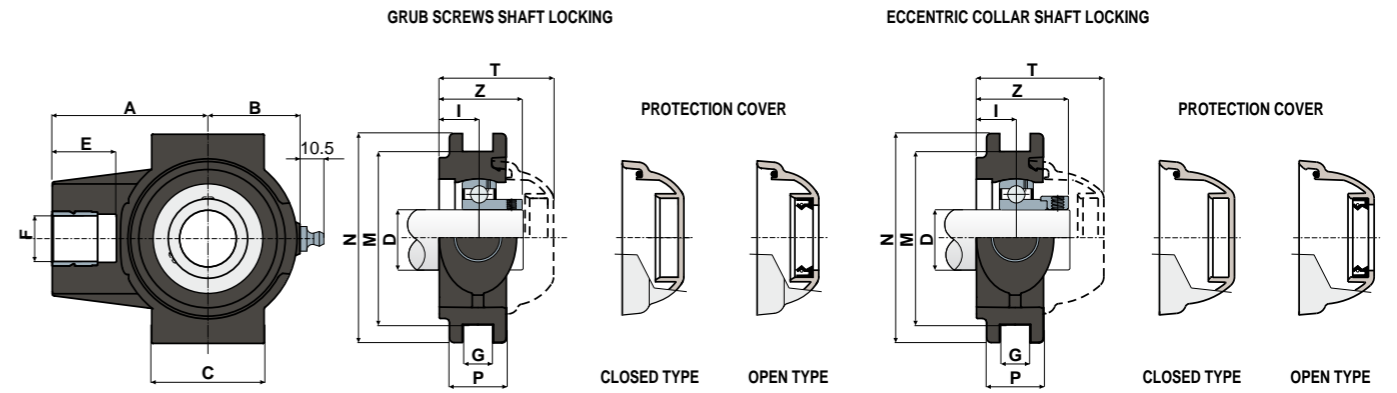
Screw to make the support advance

Take-up bearing supports (Solid)

Technical data



Series **UCT**



GRUB SCREWS SHAFT LOCKING

D	SERIES	CHROME STEEL BEARING														COVER CODES														
		Support CODES						DIMENSIONS (mm)								Bearing load (N)		Bearing support load		GREY RAL 7042 BLUE RAL 5015 ORANGE RAL 2004 RED RAL 3000										
		Standard bearing			Long Life bearing			A	B	C	E	F	G	I	M	N	P	Z	T	C	CO	(N)	Closed	Open	Closed	Open	Closed	Open	Closed	Open
20	UCT 204	85684	85686	89279	90340	90343	90346	63,5	35	50	28	M16	13,5	17	76,2	92	25	35	50	12800	6600	16000	80254	80255	87259	83901	82305	82306	87540	87541
25	UCT 205	86115	86116	89280	90341	90344	90347	68,5	40,5	50	28	M20	13,5	17	76,2	92	25	36,5	50,2	14000	7800	24000	80075	80076	85384	85385	82276	82277	87542	87543
30	UCT 206	86144	86146	89281	90342	90345	90348	77	48	57	28	M24	13,5	18,5	89	104	28	40,5	55,7	19500	11300	27000	80011	80053	84100	80354	82278	82279	87531	87530

ECCENTRIC COLLAR SHAFT LOCKING

D	SERIES	CHROME STEEL BEARING														COVER CODES								
		Support CODES						DIMENSIONS (mm)								Bearing load (N)		Bearing support load		GREY RAL 7042				
		Standard bearing			Long Life bearing			A	B	C	E	F	G	I	M	N	P	Z	T	C	CO	(N)	Closed	Open
20	UCT 204	88621	88624	89282	90349	90352	90355	63,5	35	50	28	M16	13,5	17	76,2	92	25	40,5	56,7	12800	6600	16000	88371	88372
25	UCT 205	88622	88625	89283	90350	90353	90356	68,5	40,5	50	28	M20	13,5	17	76,2	92	25	40,5	56	14000	7800	24000	88373	88374
30	UCT 206	88623	88626	89284	90351	90354	90357	77	48	57	28	M24	13,5	18,5	89	104	28	45,2	62	19500	11300	27000	88375	88376

GRUB SCREWS SHAFT LOCKING

D	SERIES	STAINLESS STEEL BEARING AISI 440														COVER CODES														
		Support CODES						DIMENSIONS (mm)								Bearing load (N)		Bearing support load		GREY RAL 7042 BLUE RAL 5015 ORANGE RAL 2004 RED RAL 3000										
		Standard bearing			Long Life bearing			A	B	C	E	F	G	I	M	N	P	Z	T	C	CO	(N)	Closed	Open	Closed	Open	Closed	Open	Closed	Open
20	UCT 204	85685	85687	89285	90358	90361	90364	63,5	35	50	28	M16	13,5	17	76,2	92	25	35	50	8300	6600	16000	80254	80255	87259	83901	82305	82306	87540	87541
25	UCT 205	86117	86118	89286	90359	90362	90365	68,5	40,5	50	28	M20	13,5	17	76,2	92	25	36,5	50,2	9150	7800	24000	80075	80076	85384	85385	82276	82277	87542	87543
30	UCT 206	86148	86150	89287	90360	90363	90366	77	48	57	28	M24	13,5	18,5	89	104	28	40,5	55,7	12500	11200	27000	80011	80053	84100	80354	82278	82279	87531	87530