



Take-up bearing supports (Solid)

Series UCT/C



On request covers in polypropylene blue Ral 5015 colour.

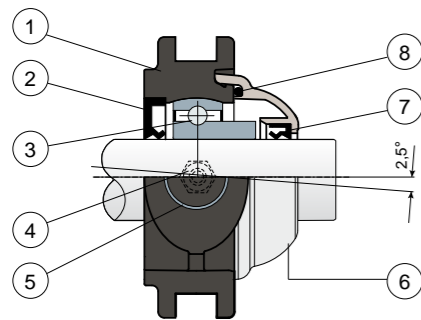
On request covers in polypropylene orange Ral 2004 colour.

On request covers in polypropylene red Ral 3000 colour.

Self-aligning bearings with Solid body: completely closed surface to guarantee the max hygiene.

Long Life bearings: life long lubrication.

Full protection of bearing



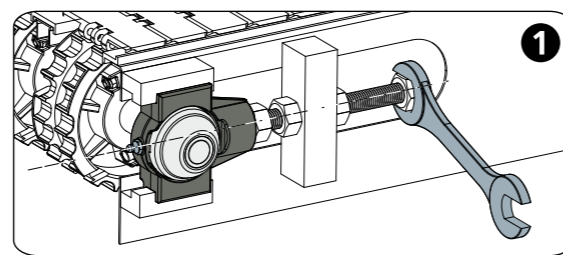
- 1) Housing made out of black or white colour polyamide reinforced with glass fibers.
- 2) Back gasket made out of NBR rubber for turning shaft seal.
- 3) Chrome steel or stainless steel bearing AISI 440.
- 4) Greaser, straight type with 1/8 gas thread, made out of nickel-plated brass (absent in the versions with Long Life bearing).
- 5) Bushing made of nickel plated brass.
- 6) Protection cover made out of polypropylene (grey colour Ral 7042).
- 7) Front gasket made out of NBR rubber for turning shaft seal.
- 8) OR gasket made out of NBR rubber.

N.B.: In the Long Life version, the greaser is absent and the lubrication channel is protected by a rubber cap.

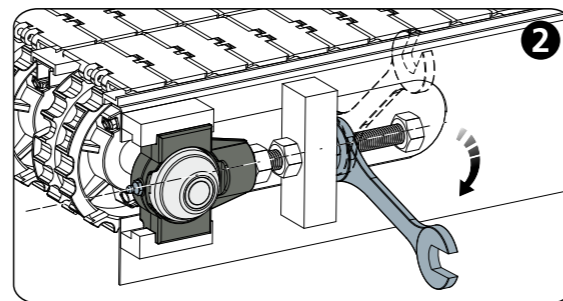
Support dimensions respect ISO 3228 set of rules.
Maximum shaft alignment error 2,5°.
For further information please contact our technical office or sales department.

MATERIALS: Housing is made out of PA + glass fiber in black or white colours; chrome steel or stainless steel bearing; greaser and bushings made out of nickel plated brass; gaskets made out of NBR rubber; cover made out of grey RAL 7042 colour polypropylene.
FEATURES: Full protection of bearing against external agents. Assembly with not shouldered shafts. Maximum shaft alignment error 2,5°.
BOX QUANTITY: 8 pieces.
ON REQUEST: Versions with body in polypropylene + glass fiber and antibacterial additive; supports with eccentric collar shaft locking with chrome steel bearing; protection covers in different colours and with customized brand; box quantity according to your request; Viton gaskets.

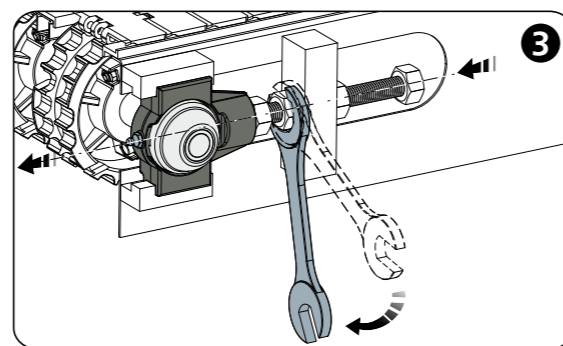
Example of application



Lock the shaft



Unscrew the lock



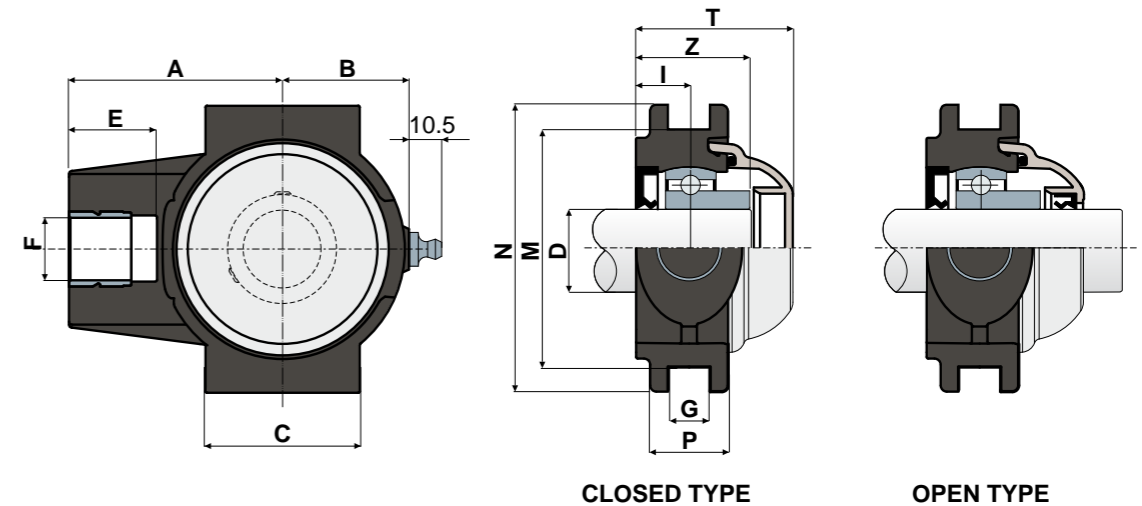
Screw to make the support advance

Take-up bearing supports (Solid)

Technical data



Series UCT/C



D	SERIES	CODES								DIMENSIONS (mm)										Bearing load (N)		Bearing support load		
		Standard bearing				Long Life bearing				A	B	C	E	F	G	I	M	N	P	Z	T	C	CO	(N)
		Closed	Open	Closed	Open	Closed	Open	Closed	Open															
20	UCT 204 C	85672	85673	85676	85677	90290	90291	90296	90297	63,5	35	50	28	M16	13,5	17	76,2	92	25	35	50	12800	6600	16000
25	UCT 205 C	86103	86104	86105	86106	90292	90293	90298	90299	68,5	40,5	50	28	M20	13,5	17	76,2	92	25	36,5	50,2	14000	7800	24000
30	UCT 206 C	86120	86122	86124	86126	90294	90295	90300	90301	77	48	57	28	M24	13,5	18,5	89	104	28	40,5	55,7	19500	11300	27000

D	SERIES	CODES								DIMENSIONS (mm)										Bearing load (N)		Bearing support load		
		Standard bearing				Long Life bearing				A	B	C	E	F	G	I	M	N	P	Z	T	C	CO	(N)
		Closed	Open	Closed	Open	Closed	Open	Closed	Open															
20	UCT 204 C	85674	85675	85678	85679	90302	90303	90308	90309	63,5	35	50	28	M16	13,5	17	76,2	92	25	35	50	8300	6600	16000
25	UCT 205 C	86107	86108	86109	86110	90304	90305	90310	90311	68,5	40,5	50	28	M20	13,5	17	76,2	92	25	36,5	50,2	9150	7800	24000
30	UCT 206 C	86128	86130	86132	86134	90306	90307	90312	90313	77	48	57	28	M24	13,5	18,5	89	104	28	40,5	55,7	12500	11200	27000