



# Compact Pillow Blocks ( Solid )

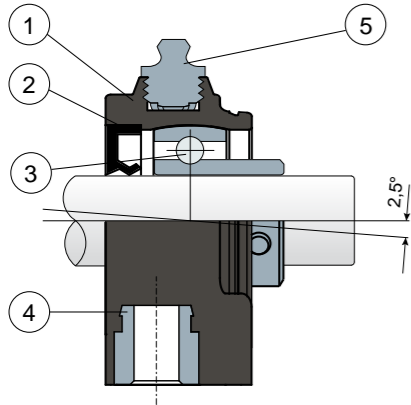
Series **UCPA/CX**



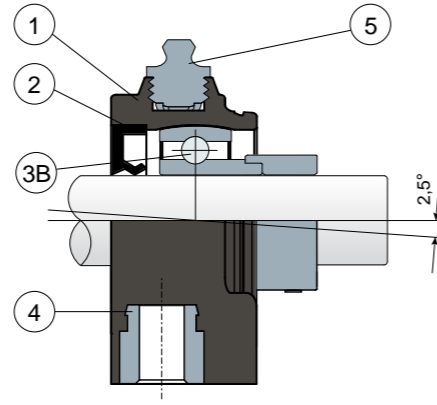
**S** Self-aligning bearings with Solid body: completely closed surface to guarantee the max hygiene.

**L** Long Life bearings: life long lubrication.

Grub screws shaft locking - Without protection cover



Eccentric collar shaft locking - Without protection cover



- 1) Housing made out of black, white or blue Ral 5005 colour polyamide reinforced with glass fibers.
- 2) Back gasket made out of NBR rubber for turning shaft seal.
- 3) Chrome steel or stainless steel bearing AISI 440.
- 3B) Chrome steel bearing.
- 4) Bushing made of nickel plated brass.
- 5) Greaser, straight type with 1/8 gas thread, made out of nickel-plated brass (absent in the versions with Long Life bearing).

NOTE: The protection cover can be ordered separately as an accessory; in the Long Life version, the greaser is absent and the lubrication channel is protected by a rubber cap.

Support dimensions respect ISO 3228 set of rules.  
Maximum shaft alignment error 2,5°.  
For further information please contact our technical office or sales department.

**MATERIALS:** Housing is made out of PA + glass fiber in black, white or blue Ral 5005 colours; bearing with grub screws shaft locking in chrome steel or stainless steel; bearing with eccentric collar shaft locking in chrome steel; greaser and bushings made out of nickel plated brass; gaskets made out of NBR rubber; cover made out of polypropylene grey Ral 7042, blue Ral 5015, orange Ral 2004 or red Ral 3000 colour.

**FEATURES:** The protection cover can be ordered separately as an accessory. Assembly with not shouldered shafts. Maximum shaft alignment error 2,5°.  
**BOX QUANTITY:** 8 pieces.

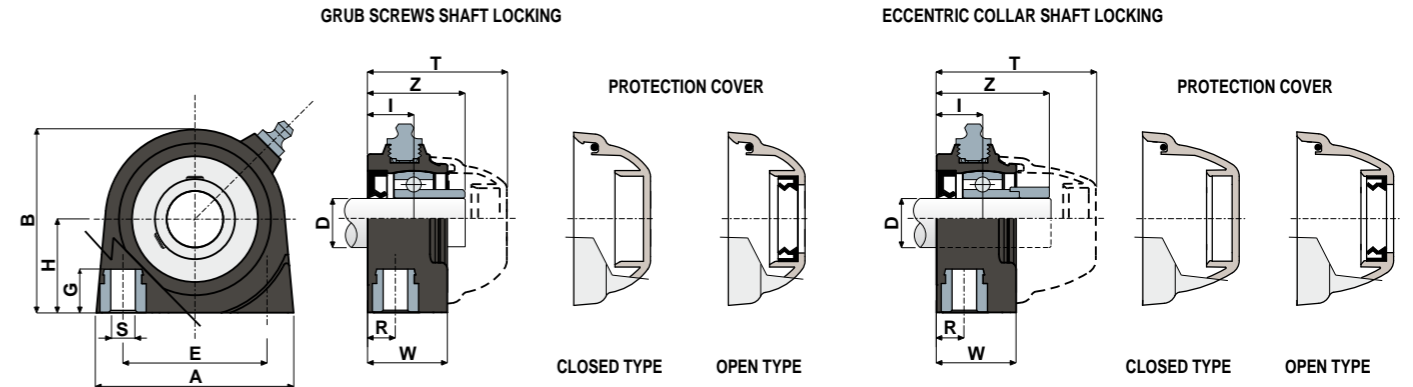
**ON REQUEST:** Versions with body in polypropylene + glass fiber and antibacterial additive; protection covers in different colours and with customized brand; box quantity according to your request; Viton gaskets.

# Compact Pillow Blocks ( Solid )

Technical data



Series **UCPA/CX**



GRUB SCREWS SHAFT LOCKING

D	SERIES	CHROME STEEL BEARING															COVER CODES													
		Support CODES						DIMENSIONS (mm)									Bearing load (N)		Bearing support load		GREY RAL 7042				BLUE RAL 5015		ORANGE RAL 2004		RED RAL 3000	
		Standard bearing		Long Life bearing				E	A	S	G	H	B	R	W	I	Z	T	C	CO	(N)		Closed	Open	Closed	Open	Closed	Open	Closed	Open
20	UCPA 204 CX	85610	85626	89259	87583	90256	90258	50,8	70	M8	13	33,2	65	10	28	16,2	34,2	49	12800	6600	2500		80254	80255	87259	83901	82305	82306	87540	87541
25	UCPA 205 CX	85611	85627	89260	86815	90257	90259	50,8	75	M10	13	36,5	72	12	30	18,8	38,3	52	14000	7800	3000		80075	80076	85384	85385	82276	82277	87542	87543

ECCENTRIC COLLAR SHAFT LOCKING

D	SERIES	CHROME STEEL BEARING															COVER CODES							
		Support CODES						DIMENSIONS (mm)									Bearing load (N)		Bearing support load		GREY RAL 7042			
		Standard bearing		Long Life bearing				E	A	S	G	H	B	R	W	I	Z	T	C	CO	(N)		Closed	Open
20	UCPA 204 CX	88607	88609	89261	90260	90262	90264	50,8	70	M8	13	33,2	65	10	28	16,2	39,7	56	12800	6600	2500		88371	88372
25	UCPA 205 CX	88608	88610	89262	90261	90263	90265	50,8	75	M10	13	36,5	72	12	30	18,8	42,3	58	14000	7800	3000		88373	88374

GRUB SCREWS SHAFT LOCKING

D	SERIES	STAINLESS STEEL BEARING AISI 440															COVER CODES													
		Support CODES						DIMENSIONS (mm)									Bearing load (N)		Bearing support load		GREY RAL 7042				BLUE RAL 5015		ORANGE RAL 2004		RED RAL 3000	
		Standard bearing		Long Life bearing				E	A	S	G	H	B	R	W	I	Z	T	C	CO	(N)		Closed	Open	Closed	Open	Closed	Open		
20	UCPA 204 CX	85612	85628	89263	90266	90268	90270	50,8	70	M8	13	33,2	65	10	28	16,2	34,2	49	8300	6600	2500		80254	80255	87259	83901	82305	82306	87540	87541
25	UCPA 205 CX	85613	85629	89220	90267	90269	90271	50,8	75	M10	13	36,5	72	12	30	18,8	38,3	52	9150	7800	3000		80075	80076	85384	85385	82276	82277	87542	87543