



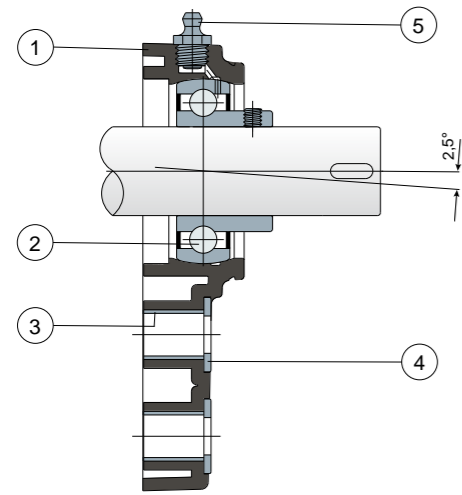
# Side flanged bearing supports

Series **UCFB**

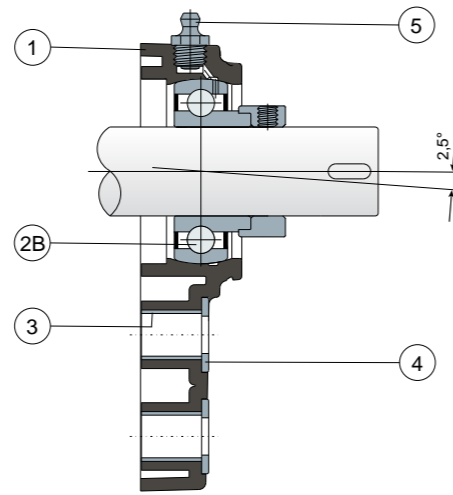


**L** Long Life bearings: life long lubrication.

Grub screws shaft locking - Without cover and back gasket



Eccentric collar shaft locking - Without cover and back gasket



- 1) Housing made out of black or white colour polyamide reinforced with glass fibers.
- 2) Chrome steel or stainless steel bearing AISI 440.
- 2B) Chrome steel bearing.
- 3) Spacer for fixing reinforcement made out of stainless steel AISI 304.
- 4) UNI 6592 support washer made out of stainless steel AISI 304.
- 5) Greaser, straight type with 1/8 gas thread, made out of nickel-plated brass (absent in the versions with Long Life bearing).

NOTE: The back gasket and the protection cover can be ordered separately as accessories; in the Long Life version, the greaser is absent and the lubrication channel is protected by a rubber cap.

Support dimensions respect ISO 3228 set of rules.  
Maximum shaft alignment error 2,5°  
For further information please contact our technical office or sales department.

**MATERIALS:** Housing is made out of PA + glass fiber in black or white colours; bearing with grub screws shaft locking in chrome steel or stainless steel; bearing with eccentric collar shaft locking in chrome steel; greaser made out of nickel plated brass; reinforcement bushings and washers made out of stainless steel AISI 304; gaskets made out of NBR rubber; cover made out of polypropylene grey Ral 7042, blue Ral 5015, orange Ral 2004 or red Ral 3000 colour.  
**FEATURES:** The back gasket and the protection cover can be ordered separately as accessories. Assembly with shouldered and not shouldered shafts. Maximum shaft alignment error 2.5°.

**BOX QUANTITY:** 8 pieces.

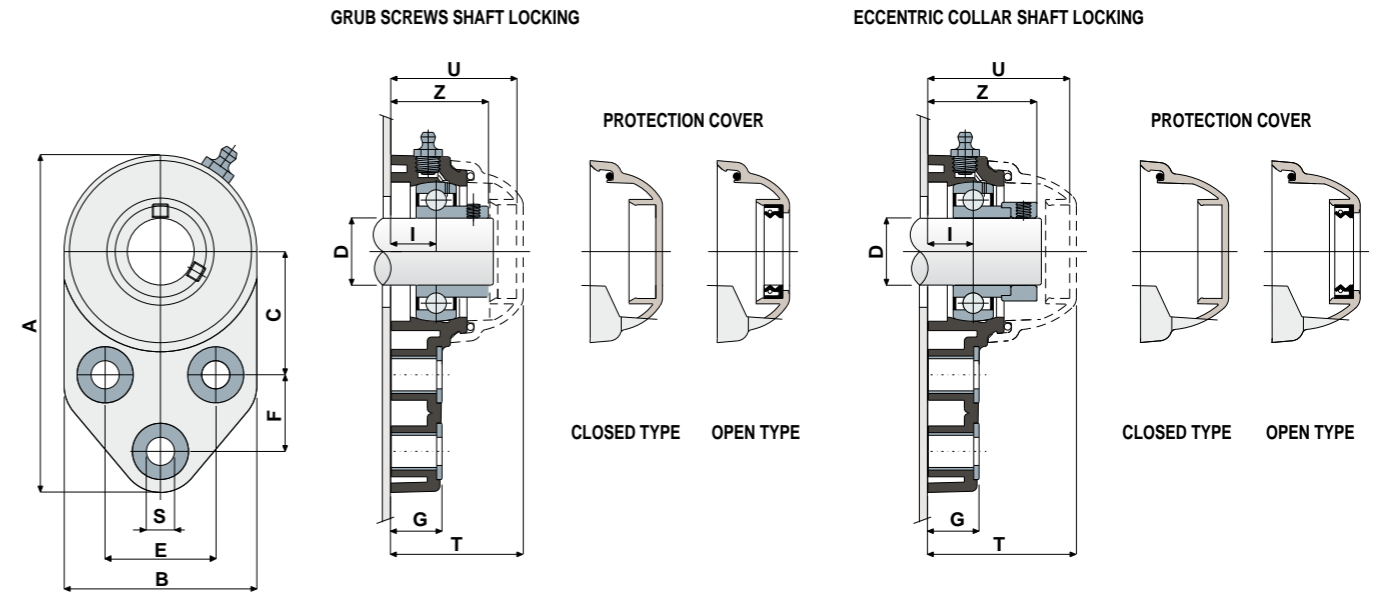
**ON REQUEST:** Versions with body in polypropylene + glass fiber and antibacterial additive; protection covers in different colours and with customized brand; protection covers in polypropylene blue Ral 5015 FDA APPROVED; box quantity according to your request; Viton gaskets.

# Side flanged bearing supports

Technical data



Series **UCFB**



GRUB SCREWS SHAFT LOCKING

D	SERIES	CHROME STEEL BEARING														COVER CODES											
		Support CODES				DIMENSIONS (mm)										Bearing load (N)		Bearing support load		GREY RAL 7042				BLUE RAL 5015	ORANGE RAL 2004	RED RAL 3000	
		Standard bearing	Long Life bearing			E	A	B	C	F	S	G	I	Z	U	T	C	CO	(N)	Closed	Open	Closed	Open	Closed	Open	Closed	Open
20	UCFB 204	83025	84748	87601	90064	41,3	126	72	46	28,6	10,5	19	18	36,3	47	49,5	12800	6600	8500	80254	80255	87259	83901	82305	82306	87540	87541
25	UCFB 205	82773	84749	90061	90065	41,3	126	72	46	28,6	10,5	19	17	36,5	47	49,5	14000	7800	9000	80075	80076	85384	85385	82276	82277	87542	87543
30	UCFB 206	84060	84750	88335	90066	47,6	142	85	52,4	32	10,5	26,3	20,7	41,7	53,2	55,7	19500	11300	11000	80011	80053	84100	80354	82278	82279	87531	87530
35	UCFB 207	84061	84751	90062	90067	51	155	94	60,5	32	10,5	26,3	20	43,2	56,5	59	25500	15300	13000	80077	80078	80969	80275	82284	82285	87544	87545
40	UCFB 208	83029	84752	90063	90068	50	165	100	60,5	41	10,5	26,3	19,5	44,8	65	68	32500	19800	18000	80256	80257	83088	86722	82280	82281	87528	82804

ECCENTRIC COLLAR SHAFT LOCKING

D	SERIES	CHROME STEEL BEARING														COVER CODES					
		Support CODES				DIMENSIONS (mm)										Bearing load (N)		Bearing support load		GREY RAL 7042	
		Standard bearing	Long Life bearing			E	A	B	C	F	S	G	I	Z	U	T	C	CO	(N)	Closed	Open
20	UCFB 204	88564	88569	90069	90074	41,3	126	72	46	28,6	10,5	19	18	41,5	54	56,5	12800	6600	8500	88371	88372
25	UCFB 205	88565	88570	90070	90075	41,3	126	72	46	28,6	10,5	19	17	40,5	52,9	55,4	14000	7800	9000	88373	88374
30	UCFB 206	88566	88571	90071	90076	47,6	142	85	52,4	32	10,5	26,3	20,7	47,4	59,4	61,9	19500	11300	11000	88375	88376
35	UCFB 207	88567	88572	90072	90077	51	155	94	60,5	32	10,5	26,3	20	49,3	61,3	63,8	25500	15300	13000	88377	88378
40	UCFB 208	88568	88573	90073	90078	50	165	100	60,5	41	10,5	26,3	19,5	52,2	65	68	32500	19800	18000	80256	80257

GRUB SCREWS SHAFT LOCKING

D	SERIES	STAINLESS STEEL BEARING AISI 440														COVER CODES											
		Support CODES				DIMENSIONS (mm)										Bearing load (N)		Bearing support load		GREY RAL 7042				BLUE RAL 5015	ORANGE RAL 2004	RED RAL 3000	
		Standard bearing	Long Life bearing			E	A	B	C	F	S	G	I	Z	U	T	C	CO	(N)	Closed	Open	Closed	Open	Closed	Open	Closed	Open
20	UCFB 204	83042	84753	90079	90084	41,3	126	72	46	28,6	10,5	19	18	36,3	47	49,5	8300	6600	8500	80254	80255	87259	83901	82305	82306	87540	87541
25	UCFB 205	82777	84754	90080	90085	41,3	126	72	46	28,6	10,5	19	17	36,5	47	49,5	9150	7800	9000	80075	80076	85384	85385	82276	82277	87542	87543
30	UCFB 206	84062	84755	90081	90086	47,6	142	85	52,4	32	10,5	26,3	20,7	41,7	53,2	55,7	12500	11200	11000	80011	80053	84100	80354	82278	82279	87531	87530
35	UCFB 207	84063	84756	90082	90087	51	155	94	60,5	32	10,5	26,3	20	43,2	56,5	59	16600	15300	13000	80077	80078	80969	80275	82284	82285	87544	87545
40	UCFB 208	83044	84757	90083	90088	50	165	100	60,5	41	10,5	26,3	19,5	44,8	65	68	20000	19000	18000	80256	80257	83088	86722	82280	82281	87528	82804

GRUB SCREWS SHAFT LOCKING - VERSIONS WITH MEASURES IN INCHES

D	SERIES	CHROME STEEL BEARING														COVER CODES											
		Support CODES				DIMENSIONS (mm)										Bearing load (N)		Bearing support load		GREY RAL 7042				BLUE RAL 5015	ORANGE RAL 2004	RED RAL 3000	
		Standard bearing	Long Life bearing			E	A	B	C	F	S	G	I	Z	U	T	C	CO	(N)	Closed	Open	Closed	Open	Closed	Open	Closed	Open
1"	UCFB 205	84529	84919	90089	90091	41,3	126	72	46	28,6	10,5	19	17	36,5	47	49,5	14000	7800	9000	80075	85202	85384	87273	82276	87660	87542	87663
1 1/4"	UCFB 206	84530	84920	90090	90092	47,6	142	85	52,4	32	10,5	26,3	20,7	41,7	53,2	55,7	19500	11300	11000	80011	85203	84100	87274	82278	87661	87531	87664

Inch dimensions conform to the British Imperial system