



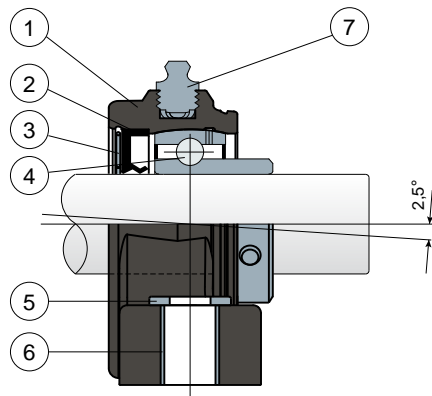
Pillow Blocks

Series **UCP/CX**

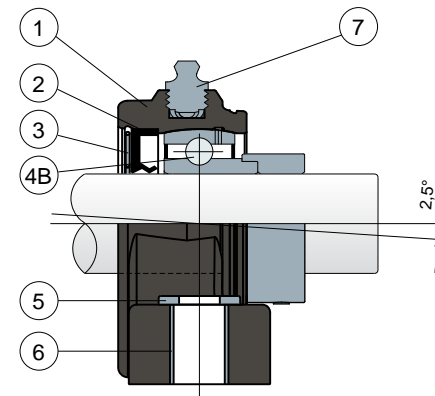


L Long Life bearings: life long lubrication.

Grub screws shaft locking - Without protection cover



Eccentric collar shaft locking - Without protection cover



- 1) Housing made out of black, white or blue Ral 5005 colour polyamide reinforced with glass fibers.
- 2) Back gasket made out of NBR rubber for turning shaft seal.
- 3) Safety ring in stainless steel AISI 304.
- 4) Chrome steel or stainless steel bearing AISI 440.
- 4B) Chrome steel bearing.
- 5) UNI 6592 support washer made out of stainless steel AISI 304.
- 6) Spacer for fixing reinforcement made out of stainless steel AISI 304.
- 7) Greaser, straight type with 1/8 gas thread, made out of nickel-plated brass (absent in the versions with Long Life bearing).

NOTE: The protection cover can be ordered separately as an accessory; in the Long Life version, the greaser is absent and the lubrication channel is protected by a rubber cap.

Support dimensions respect ISO 3228 set of rules.
Maximum shaft alignment error 2,5°.
For further information please contact our technical office or sales department.

MATERIALS: Housing is made out of PA + glass fiber in black, white or blue Ral 5005 colours; bearing with grub screws shaft locking in chrome steel or stainless steel; bearing with eccentric collar shaft locking in chrome steel; greaser made out of nickel plated brass; reinforcement bushings, washers and safety ring made out of stainless steel AISI 304; gaskets made out of NBR rubber; cover made out of polypropylene grey Ral 7042, blue Ral 5015, orange Ral 2004 or red Ral 3000 colour.

FEATURES: The protection cover can be ordered separately as an accessory. Assembly with not shouldered shafts. Maximum shaft alignment error 2,5°.

BOX QUANTITY: 8 pieces.

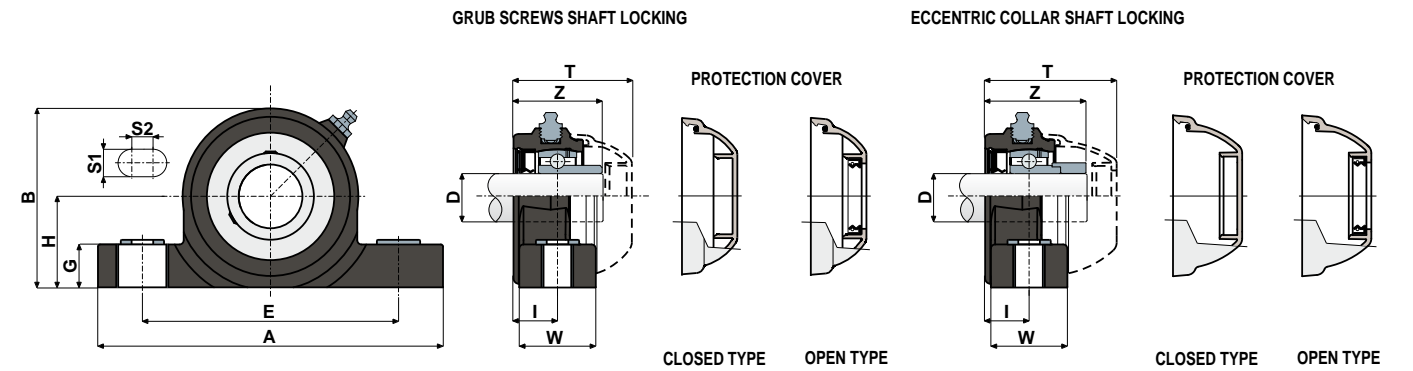
ON REQUEST: Versions with body in polypropylene + glass fiber and antibacterial additive; protection covers in different colours and with customized brand; box quantity according to your request; Viton gaskets.

Pillow Blocks

Technical data



Series **UCP/CX**



GRUB SCREWS SHAFT LOCKING

D	SERIES	CHROME STEEL BEARING															COVER CODES													
		Support CODES						DIMENSIONS (mm)									Bearing load (N)		Bearing support load		GREY RAL 7042				BLUE RAL 5015		ORANGE RAL 2004		RED RAL 3000	
		Standard bearing		Long Life bearing				E	A	S1	S2	G	H	B	I	W	Z	T	C	CO	(N)	Closed	Open	Closed	Open	Closed	Open	Closed	Open	
20	UCP 204 CX	84080	84774	87753	90145	90149	90154	96	130	13	10	20	33,5	65,5	18	30	36	49	12800	6600	5750	80254	80255	87259	83901	82305	82306	87540	87541	
25	UCP 205 CX	83688	84775	87754	90146	90150	90155	106	140	13	10	20	36,5	71,5	19,6	35	39	51,7	14000	7800	6900	80075	80076	85384	85385	82276	82277	87542	87543	
30	UCP 206 CX	83689	84776	87755	88673	90151	90156	121	163	13	10	20	43	84,5	20,7	36	41,7	55,7	19500	11300	9200	80011	80053	84100	80354	82278	82279	87531	87530	
35	UCP 207 CX	83690	84777	87756	90147	90152	90157	126	168	13	10	20	47,6	93,3	22,7	39	48	61,8	25500	15300	11500	80077	80078	80969	80275	82284	82285	87544	87545	
40	UCP 208 CX	85451	85452	87757	90148	90153	90158	136	185	13	10	20	50	100	22,5	38,6	51,5	70,7	32500	19800	11500	80256	80257	83088	86722	82280	82281	87528	82804	

ECCENTRIC COLLAR SHAFT LOCKING

D	SERIES	CHROME STEEL BEARING															COVER CODES						
		Support CODES						DIMENSIONS (mm)									Bearing load (N)		Bearing support load		GREY RAL 7042		
		Standard bearing		Long Life bearing				E	A	S1	S2	G	H	B	I	W	Z	T	C	CO	(N)	Closed	Open
20	UCP 204 CX	88574	88579	88584	90159	90164	90169	96	130	13	10	20	33,5	65,5	18	30	41,6	56	12800	6600	5750	88371	88372
25	UCP 205 CX	88575	88580	88585	90160	90165	90170	106	140	13	10	20	36,5	71,5	19,6	35	43	57,6	14000	7800	6900	88373	88374
30	UCP 206 CX	88576	88581	88586	90161	90166	90171	121	163	13	10	20	43	84,5	20,7	36	47,4	61,8	19500	11300	9200	88375	88376
35	UCP 207 CX	88577	88582	88587	90162	90167	90172	126	168	13	10	20	47,6	93,3	22,7	39	52	66,6	25500	15300	11500	88377	88378
40	UCP 208 CX	88578	88583	88588	90163	90168	90173	136	185	13	10	20	50	100	22,5	38,6	55,2	70,9	32500	19800	11500	80256	80257

GRUB SCREWS SHAFT LOCKING

D	SERIES	STAINLESS STEEL BEARING AISI 440															COVER CODES													
		Support CODES						DIMENSIONS (mm)									Bearing load (N)		Bearing support load		GREY RAL 7042				BLUE RAL 5015		ORANGE RAL 2004		RED RAL 3000	
		Standard bearing		Long Life bearing				E	A	S1	S2	G	H	B	I	W	Z	T	C	CO	(N)	Closed	Open	Closed	Open	Closed	Open	Closed	Open	
20	UCP 204 CX	84081	84778	87762	85324	85840	88393	96	130	13	10	20	33,5	65,5	18	30	36	49	8300	6600	5750	80254	80255	87259	83901	82305	82306	87540	87541	
25	UCP 205 CX	83702	84779	87763	84238	86179	88880	106	140	13	10	20	36,5	71,5	19,6	35	39	51,7	9150	7800	6900	80075	80076	85384	85385	82276	82277	87542	87543	
30	UCP 206 CX	83703	84780	87764	90174	87526	90178	121	163	13	10	20	43	84,5	20,7	36	41,7	55,7	12500	11200	9200	80011	80053	84100	80354	82278	82279	87531	87530	
35	UCP 207 CX	83704	84781	87765	86699	90176	90179	126	168	13	10	20	47,6	93,3	22,7	39	48	61,8	16600	15300	11500	80077	80078	80969	80275	82284	82285	87544	87545	
40	UCP 208 CX	85453	85454	87766	90175	90177	90180	136	185	13	10	20	50	100	22,5	38,6	51,5	70,7	20000	19000	11500	80256	80257	83088	86722	82280	82281	87528	82804	

GRUB SCREWS SHAFT LOCKING - VERSIONS WITH MEASURES IN INCHES

D	SERIES	CHROME STEEL BEARING															COVER CODES													
		Support CODES						DIMENSIONS (mm)									Bearing load (N)		Bearing support load		GREY RAL 7042				BLUE RAL 5015		ORANGE RAL 2004		RED RAL 3000	
		Standard bearing		Long Life bearing				E	A	S1	S2	G	H	B	I	W	Z	T	C	CO	(N)	Closed	Open	Closed	Open	Closed	Open	Closed	Open	
1"	UCP 205 CX	84535	84931	87767	90181	90183	90185	106	140	13	10	20	36,5	71,5	19,6	35	39	51,7	14000	7800	6900	80075	85202	85384	87273	82276	87660	87542	87663	
1 1/4"	UCP 206 CX	84536	84932	87768	90182	90184	90186	121	163	13	10	20	43	84,5	20,7	36	41,7	55,7	19500	11300	9200	80011	85203	84100	87274	82278	87661	87531	87664	

Inch dimensions conform to the British Imperial system