



# Square flanged bearing supports ( Solid )

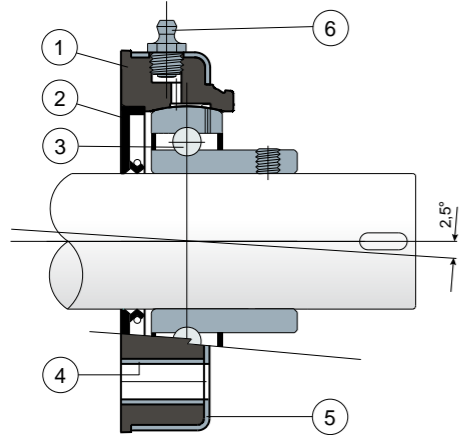
Series **UCF/CXA**



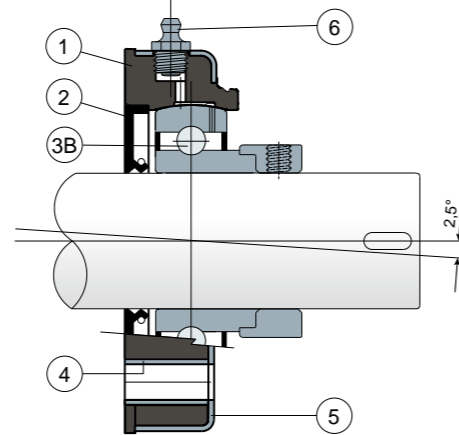
Self-aligning bearings with Solid body: completely closed surface to guarantee the max hygiene.

Long Life bearings: life long lubrication.

Grub screws shaft locking  
External cover made out of stainless steel AISI 304; without protection cover



Eccentric collar shaft locking  
External cover made out of stainless steel AISI 304; without protection cover



- 1) Internal body of support made out of black colour polypropylene reinforced with glass fibers.
- 2) Back gasket made out of NBR rubber for turning shaft seal.
- 3) Chrome steel or stainless steel bearing AISI 440.
- 3B) Chrome steel bearing.
- 4) Spacer for fixing reinforcement made out of stainless steel AISI 304.
- 5) External cover of support made out of AISI 304 stainless steel.
- 6) Greaser, straight type with 1/8 gas thread, made out of nickel-plated brass (absent in the versions with Long Life bearing).

NOTE: The protection cover can be ordered separately as an accessory; in the Long Life version, the greaser is absent and the lubrication channel is protected by a rubber cap.

Maximum shaft alignment error 2,5°  
For further information please contact our technical office or sales department.

**MATERIALS:** Support made out of black colour PP + glass fiber; external cover of support made out of stainless steel AISI 304; bearing with grub screws shaft locking in chrome steel or stainless steel; bearing with eccentric collar shaft locking in chrome steel; greaser made out of nickel plated brass; reinforcement bushings made out of stainless steel AISI 304; gaskets made out of NBR rubber; protection cover made out of polypropylene grey Ral 7042, blue Ral 5015, orange Ral 2004 or red Ral 3000 colour.

**FEATURES:** The protection cover can be ordered separately as an accessory. Housing in polypropylene covered with a layer of AISI 304 stainless steel, to obtain the maximum chemical resistance to antibacterial detergents used in the food processing sector. More over this part is moulded without internal cavities in order to obtain the best sanification. Assembly with not shouldered shaft. Maximum shaft alignment error 2.5°.

**BOX QUANTITY:** 8 pieces.

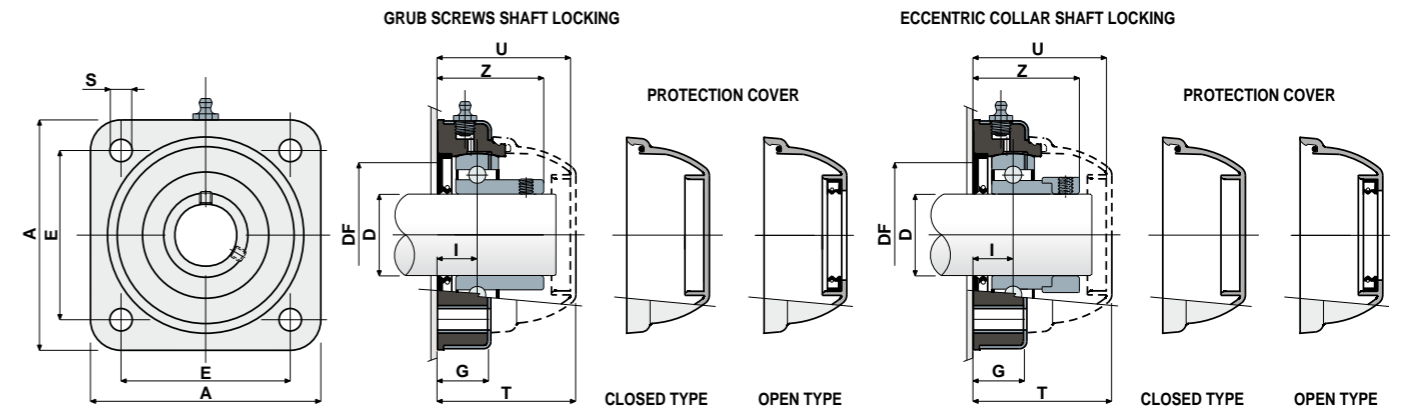
**ON REQUEST:** Protection covers in different colours and with customized brand; internal body in reinforced polypropylene white or blue Ral 5005 colour; box quantity according to your request; Viton gaskets.

# Sqaure flanged bearing supports ( Solid )

Technical data



Series **UCF/CXA**



GRUB SCREWS SHAFT LOCKING

| D  | SERIES      | Support CODES    |                   | CHROME STEEL BEARING |     |    |    |      |      |    |    |        |        |       | COVER CODES   |       |        |       |        |       |        |       |       |       |
|----|-------------|------------------|-------------------|----------------------|-----|----|----|------|------|----|----|--------|--------|-------|---------------|-------|--------|-------|--------|-------|--------|-------|-------|-------|
|    |             | Standard bearing | Long Life bearing | DIMENSIONS (mm)      |     |    |    |      |      |    |    |        |        |       | GREY RAL 7042 |       |        |       |        |       |        |       |       |       |
|    |             |                  |                   | E                    | A   | S  | G  | I    | Z    | U  | T  | DF Max | DF Min | C     | CO            | (N)   | Closed | Open  | Closed | Open  | Closed | Open  |       |       |
| 30 | UCF 206 CXA | 80413            | 84796             | 83                   | 113 | 11 | 27 | 20   | 41,3 | 65 | 68 | 60     | 50     | 19500 | 11300         | 17500 | 80494  | 80495 | 83088  | 87271 | 82280  | 87555 | 87528 | 87569 |
| 35 | UCF 207 CXA | 80479            | 84797             | 83                   | 113 | 11 | 27 | 19,5 | 42,9 | 65 | 68 | 70     | 55     | 25500 | 15300         | 18000 | 80256  | 80495 | 83088  | 87277 | 82280  | 87557 | 87529 | 87529 |
| 40 | UCF 208 CXA | 80414            | 84798             | 83                   | 113 | 11 | 27 | 19,5 | 44,8 | 65 | 68 | 78     | 65     | 32500 | 19800         | 18000 | 80257  | 80495 | 83088  | 86722 | 82281  | 87555 | 87528 | 87569 |

ECCENTRIC COLLAR SHAFT LOCKING

| D  | SERIES      | Support CODES    |                   | CHROME STEEL BEARING |     |    |    |      |      |    |    |        |        |       | COVER CODES   |       |        |       |
|----|-------------|------------------|-------------------|----------------------|-----|----|----|------|------|----|----|--------|--------|-------|---------------|-------|--------|-------|
|    |             | Standard bearing | Long Life bearing | DIMENSIONS (mm)      |     |    |    |      |      |    |    |        |        |       | GREY RAL 7042 |       |        |       |
|    |             |                  |                   | E                    | A   | S  | G  | I    | Z    | U  | T  | DF Max | DF Min | C     | CO            | (N)   | Closed | Open  |
| 30 | UCF 206 CXA | 87195            | 89624             | 83                   | 113 | 11 | 27 | 20   | 47   | 65 | 68 | 60     | 50     | 19500 | 11300         | 17500 | 80256  | 80494 |
| 35 | UCF 207 CXA | 88486            | 80497             | 83                   | 113 | 11 | 27 | 19,5 | 49   | 65 | 68 | 70     | 55     | 25500 | 15300         | 18000 | 80256  | 80495 |
| 40 | UCF 208 CXA | 88487            | 89625             | 83                   | 113 | 11 | 27 | 19,5 | 52,2 | 65 | 68 | 78     | 65     | 32500 | 19800         | 18000 | 80257  | 80495 |

GRUB SCREWS SHAFT LOCKING

| D  | SERIES      | Support CODES    |                   | STAINLESS STEEL BEARING AISI 440 |     |    |    |      |      |    |    |        |        |       | COVER CODES   |       |        |       |        |       |        |       |       |       |
|----|-------------|------------------|-------------------|----------------------------------|-----|----|----|------|------|----|----|--------|--------|-------|---------------|-------|--------|-------|--------|-------|--------|-------|-------|-------|
|    |             | Standard bearing | Long Life bearing | DIMENSIONS (mm)                  |     |    |    |      |      |    |    |        |        |       | GREY RAL 7042 |       |        |       |        |       |        |       |       |       |
|    |             |                  |                   | E                                | A   | S  | G  | I    | Z    | U  | T  | DF Max | DF Min | C     | CO            | (N)   | Closed | Open  | Closed | Open  | Closed | Open  |       |       |
| 30 | UCF 206 CXA | 80499            | 89626             | 83                               | 113 | 11 | 27 | 20   | 41,3 | 65 | 68 | 60     | 50     | 12500 | 11200         | 17500 | 80256  | 80494 | 83088  | 87271 | 82280  | 87555 | 87528 | 87569 |
| 35 | UCF 207 CXA | 80500            | 85821             | 83                               | 113 | 11 | 27 | 19,5 | 42,9 | 65 | 68 | 70     | 55     | 16600 | 15300         | 18000 | 80256  | 80495 | 83088  | 87277 | 82280  | 87557 | 87528 | 87529 |
| 40 | UCF 208 CXA | 80501            | 83461             | 83                               | 113 | 11 | 27 | 19,5 | 44,8 | 65 | 68 | 78     | 65     | 20000 | 19000         | 18000 | 80257  | 80495 | 83088  | 86722 | 82281  | 87555 | 87528 | 87569 |

GRUB SCREWS SHAFT LOCKING - VERSIONS WITH MEASURES IN INCHES

| D     | SERIES | Support CODES    |                   | CHROME STEEL BEARING |    |     |    |    |    |      |    |        |        |    | COVER CODES   |       |        |       |        |       |        |       |       |       |       |
|-------|--------|------------------|-------------------|----------------------|----|-----|----|----|----|------|----|--------|--------|----|---------------|-------|--------|-------|--------|-------|--------|-------|-------|-------|-------|
|       |        | Standard bearing | Long Life bearing | DIMENSIONS (mm)      |    |     |    |    |    |      |    |        |        |    | GREY RAL 7042 |       |        |       |        |       |        |       |       |       |       |
|       |        |                  |                   | E                    | A  | S   | G  | I  | Z  | U    | T  | DF Max | DF Min | C  | CO            | (N)   | Closed | Open  | Closed | Open  | Closed | Open  |       |       |       |
| 1"1/4 | 31,75  | UCF 206 CXA      | 84505             | 89627                | 83 | 113 | 11 | 27 | 20 | 41,3 | 65 | 68     | 60     | 50 | 19500         | 11300 | 17500  | 80256 | 85204  | 83088 | 87275  | 82280 | 87662 | 87528 | 87665 |

Inch dimensions conform to the British Imperial system