



# Square flanged bearing supports ( Solid )

Series **UCF/CA**



On request covers in polypropylene blue Ral 5015 colour.

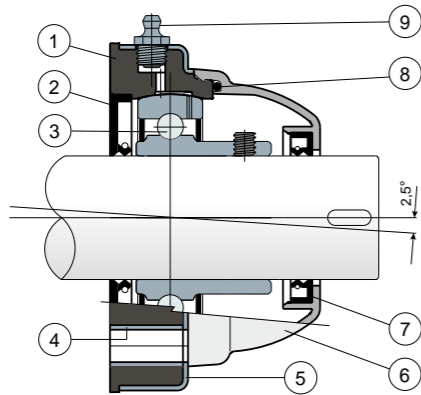
On request covers in polypropylene orange Ral 2004 colour.

On request covers in polypropylene red Ral 3000 colour.

Self-aligning bearings with Solid body: completely closed surface to guarantee the max hygiene.

Long Life bearings: life long lubrication.

External cover made out of stainless steel AISI 304



- 1) Internal body of support made out of black colour polypropylene reinforced with glass fibers.
- 2) Back gasket made out of NBR rubber for turning shaft seal.
- 3) Chrome steel or stainless steel bearing AISI 440.
- 4) Spacer for fixing reinforcement made out of stainless steel AISI 304.
- 5) External cover of support made out of AISI 304 stainless steel.
- 6) Protection cover made out of polypropylene (grey colour Ral 7042).
- 7) Front gasket made out of NBR rubber for turning shaft seal.
- 8) OR gasket made out of NBR rubber.
- 9) Greaser, straight type with 1/8 gas thread, made out of nickel-plated brass (absent in the versions with Long Life bearing).

N.B.: In the Long Life version, the greaser is absent and the lubrication channel is protected by a rubber cap.

Maximum shaft alignment error 2,5°  
For further information please contact our technical office or sales department.

**MATERIALS:** Support made out of black colour PP + glass fiber; external cover of support made out of stainless steel AISI 304; chrome steel or stainless steel bearing; greaser made out of nickel plated brass; reinforcement bushings made out of stainless steel AISI 304; gaskets made out of NBR rubber; protection cover made out of grey RAL 7042 colour polypropylene.

**FEATURES:** Full protection of bearing against external agents. Housing in polypropylene covered with a layer of AISI 304 stainless steel, to obtain the maximum chemical resistance to antibacterial detergents used in the food processing sector. More over this part is moulded without internal cavities in order to obtain the best sanification. Assembly with not shouldered shaft. Maximum shaft alignment error 2.5°.

**BOX QUANTITY:** 8 pieces.

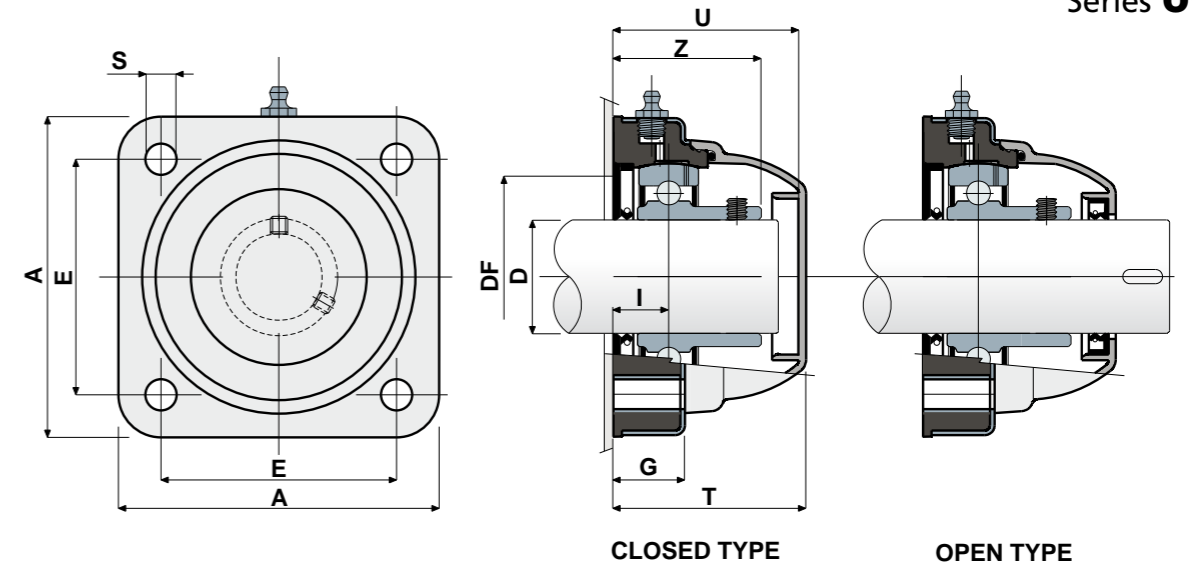
**ON REQUEST:** Protection covers in different colours and with customized brand; internal body in reinforced polypropylene white or blue Ral 5005 colour; supports with eccentric collar shaft locking with chrome steel bearing; box quantity according to your request; Viton gaskets.

# Square flanged bearing supports ( Solid )

Technical data



Series **UCF/CA**



CLOSED TYPE

OPEN TYPE

CHROME STEEL BEARING																		
D	SERIES	CODES				DIMENSIONS (mm)										Bearing load (N)		Bearing support load (N)
		Standard bearing		Long Life bearing		E	A	S	G	I	Z	U	T	DF		C	CO	
		Closed	Open	Closed	Open									Max	Min			
30	UCF 206 CA	80409	80410	89618	89619	83	113	11	27	20	41,3	65	68	60	50	19500	11300	17500
35	UCF 207 CA	80485	80486	89620	89621	83	113	11	27	19,5	42,9	65	68	70	55	25500	15300	18000
40	UCF 208 CA	80411	80412	83103	83102	83	113	11	27	19,5	44,8	65	68	78	65	32500	19800	18000

STAINLESS STEEL BEARING AISI 440																		
D	SERIES	CODES				DIMENSIONS (mm)										Bearing load (N)		Bearing support load (N)
		Standard bearing		Long Life bearing		E	A	S	G	I	Z	U	T	DF		C	CO	
		Closed	Open	Closed	Open									Max	Min			
30	UCF 206 CA	80453	80464	84991	84992	83	113	11	27	20	41,3	65	68	60	50	12500	11200	17500
35	UCF 207 CA	81059	81060	84866	84867	83	113	11	27	19,5	42,9	65	68	70	55	16600	15300	18000
40	UCF 208 CA	80454	81061	82388	80455	83	113	11	27	19,5	44,8	65	68	78	65	20000	19000	18000

VERSIONS WITH MEASURES IN INCHES

CHROME STEEL BEARING																			
D	SERIES	CODES				DIMENSIONS (mm)										Bearing load (N)		Bearing support load (N)	
		Standard bearing		Long Life bearing		E	A	S	G	I	Z	U	T	DF		C	CO		
		(inches)	(mm)	Closed	Open									Closed	Open				Max
1*1/4	31,75	UCF 206 CA	84499	84503	89622	89623	83	113	11	27	20	41,3	65	68	60	50	19500	11300	17500

Inch dimensions conform to the British Imperial system