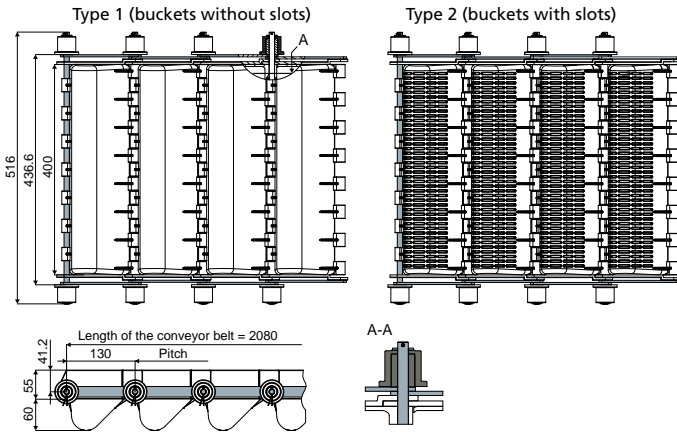
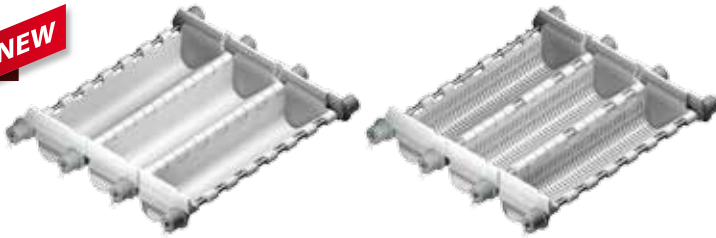


Chains and accessories

Example of application

Part. 719 Bucket conveyor (pitch 130 mm.)

NEW



MATERIALS: Buckets and side panels in polypropylene, white colour; pins, connecting rods and split pins in stainless steel AISI 304; rollers in polyamide.

FEATURES: For use in lifting transport. Available in versions with and without slots.

BOX QUANTITY: 2.08 m (16 buckets).

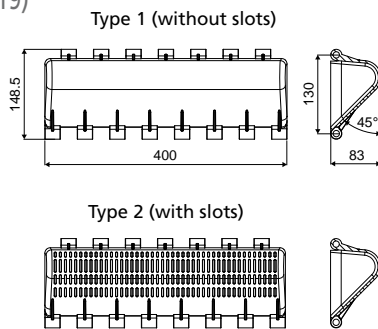
ON REQUEST:

- Conveyors: In different colours.
- Box quantity: According to your request.

Code	Type
719 / 90435	1
719 / 90436	2

Part. 714 Bucket (for Part.719)

NEW



Code	Type
714 / 90428	1
714 / 90429	2

MATERIALS: Buckets in polypropylene, white colour.

FEATURES: To be used in the bucket conveyors Part.719. Available in versions with and without slots.

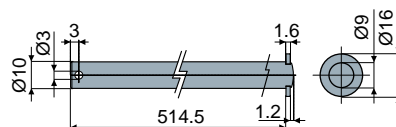
BOX QUANTITY: 25 pieces.

ON REQUEST:

- Buckets: In different colours.
- Box quantity: According to your request.

Part. 718 Pin (for Part.719)

NEW



Code
718 / 90434

MATERIALS: Pin and washer in stainless steel AISI 304.

FEATURES: To be used in the bucket conveyors Part.719. **PACKAGING:** 25 pieces.

ON REQUEST:

- Box quantity: According to your request.

