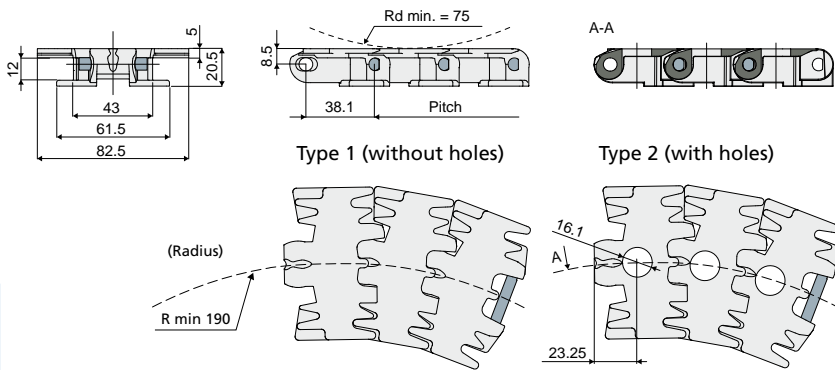


# Chains and accessories

Part. **710** **Sideflex chain**  
(879 TAB Safety Finger)



Code	Type	Material	Colour
710 / 85400	1	Acetal	White
710 / 86206	1	Acetal	Brown <b>NEW</b>
710 / 86096	1	Electroconductive acetal	Black
710 / 90438	2	Acetal	White <b>NEW</b>

**MATERIALS:** Top plates made of white or brown colour acetal or black colour electroconductive acetal; pins made of stainless steel AISI 304.

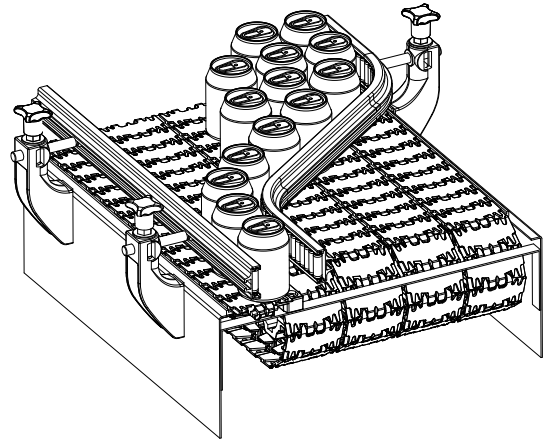
**FEATURES:** To be used with wheels:

Part.310, 457, 456, 455, 454, 458, 459. Max. working load: 2100 N.

The version with holes (Type 2) can be used in systems where the release of shavings during the transport phases is expected (see example alongside); the holes facilitate the disposal of the shavings.

**BOX QUANTITY:** 3,05 Mt.

Example of application



Example of application

