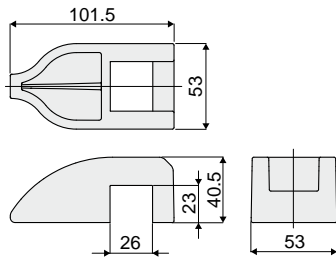


Chain guides and accessories

Part. 471

Shoe for chain return



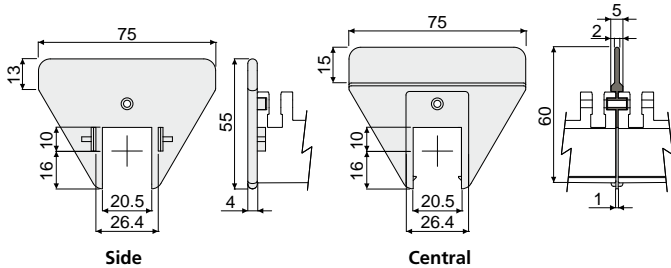
| |
|-------------|
| Code |
| 471 / 85796 |

MATERIALS: Shoe is made of HD polyethylene green colour.
FEATURES: To be used together with the spacers Part.495, 496, 497 and with the profile Part.499. Pressure mounting.
BOX QUANTITY: 24 pieces.
ON REQUEST:

- Shoes: In different colours.
- Box quantity: According to your request.

Part. 498

Striker



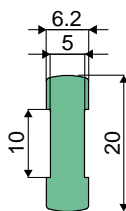
| Type | Code |
|---------|-------------|
| Side | 498 / 87021 |
| Central | 498 / 87022 |

MATERIALS: Striker in polyamide black colour.
FEATURES: To be used together with the spacers Part.495, 496, 497.
BOX QUANTITY: 24 pieces.
ON REQUEST:

- Strikers: In different colours.
- Box quantity: According to your request.

Part. 499

Sliding profile

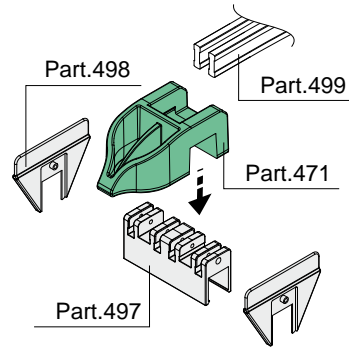


| |
|-------------|
| Code |
| 499 / 87023 |

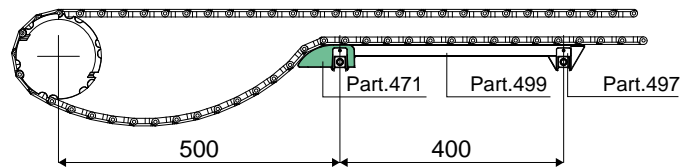
MATERIALS: Extruded polyethylene green colour.
FEATURES: To be used together with the spacers Part.495, 496, 497.
BOX QUANTITY: This item is sold in Mt. - Min. 60 Mt.
ON REQUEST:

- Profiles: Different colours and lengths.
- Box quantity: According to your request.

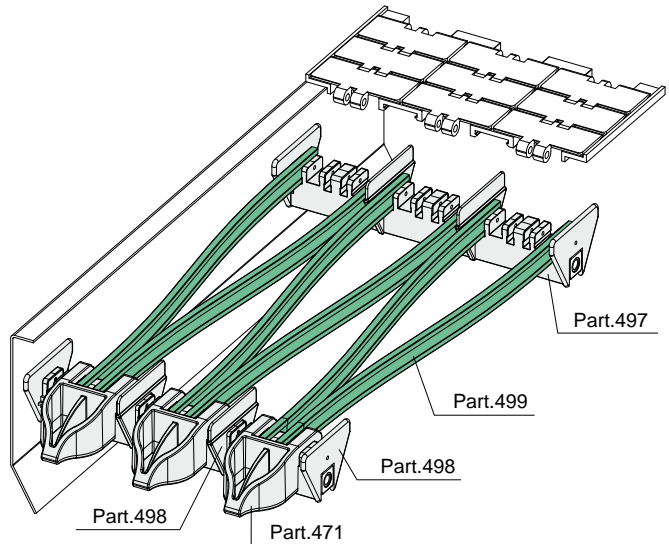
Example of application



Example of application

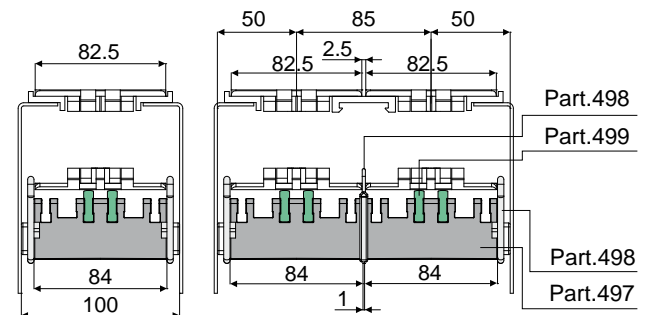


Example of application



Example of mounting

Chain width 82,5 mm



Chain width 114,3 mm

