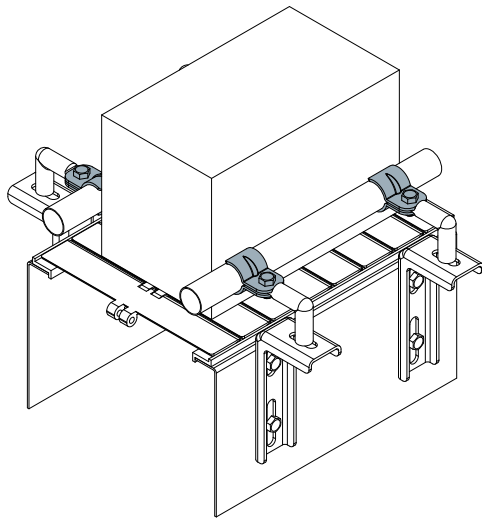
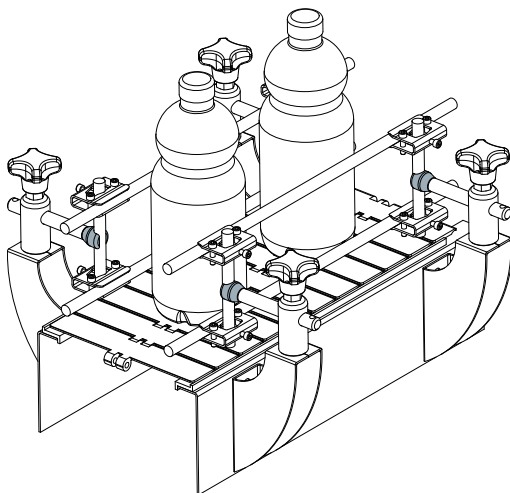


Guide rail clamps

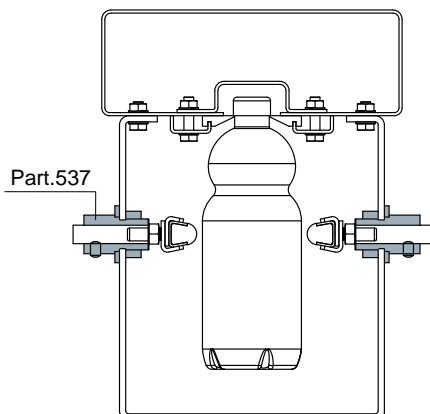
Example of application



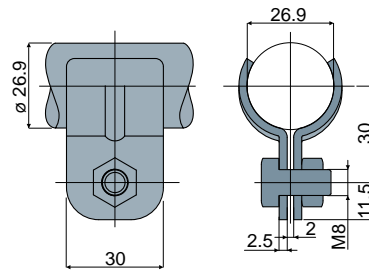
Example of application



Example of application



Guide rail clamp Part. 424



Code
424 / 84961

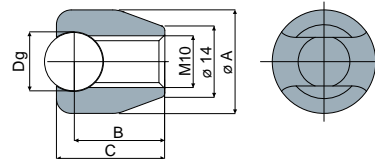
MATERIALS: Clamp, bolts and nuts in stainless steel AISI 304.

BOX QUANTITY: 24 pieces.

ON REQUEST:

- Assembly of: Bolts and nuts.
- Box quantity: According to your request.

Guide rail clamp Part. 443



Dg Rail diameter (mm)	Code	Ø A (mm)	B (mm)	C (mm)
10	443 / 87657	21	17.5	20
12	443 / 85275	21	18.5	22
14	443 / 87658	21	19.5	24

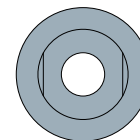
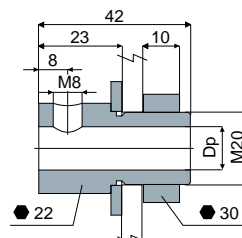
MATERIALS: Clamp made of stainless steel AISI 304.

BOX QUANTITY: 24 pieces.

ON REQUEST:

- Box quantity: According to your request.

Pin holder clamp Part. 537



Dp Pin diameter (mm)	Code
12	537 / 88744

MATERIALS: Clamp, bolts and nuts in stainless steel AISI 304.

FEATURES: To be used in the air systems for PET bottles.

BOX QUANTITY: 24 pieces.

ON REQUEST:

- Box Quantity: According to your request.