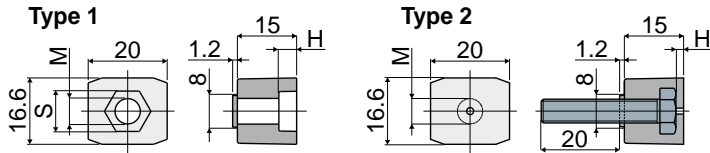


Chain guides and accessories

Part. 390 Mounting block for chain guide profile



Type 1 (without screw)			
Code	M	H	S
390 / 84166	M6	4,5	10
390 / 84167	M8	6	13

Type 2 (with screw)		
Code	M	H
390 / 87189	M6	2

MATERIALS: Mounting block in reinforced polyamide, black colour; screw in stainless steel.

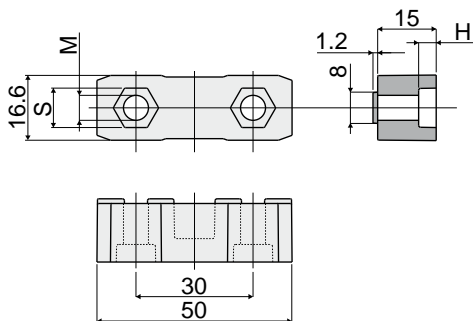
FEATURES: To be used for the guide fixing on the frame: Part.381, 384, 513 (excluding versions with aluminium metal profile).

BOX QUANTITY: 96 pieces.

ON REQUEST:

- Mounting blocks: In different colours.
- Box quantity: According to your request.

Part. 391 Connecting block for chain guide profile



Code	M	H	S
391 / 84168	M6	4,5	10
391 / 84169	M8	6	13

MATERIALS: Connecting block in reinforced polyamide, black colour.

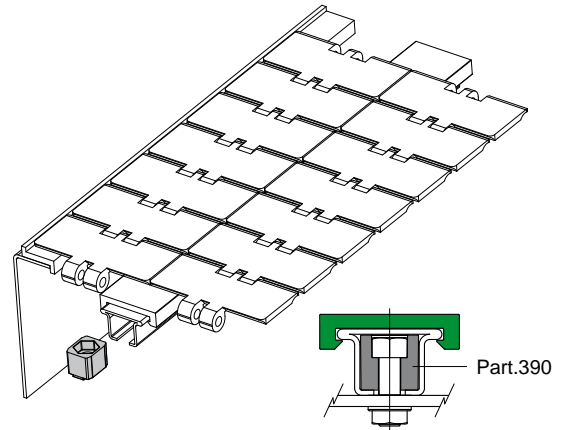
FEATURES: To be used to joint the guides: Part.381, 384, 513 (excluding versions with aluminium metal profile).

BOX QUANTITY: 48 pieces.

ON REQUEST:

- Connecting blocks: In different colours.
- Box quantity: According to your request.

Example of application



Example of application

