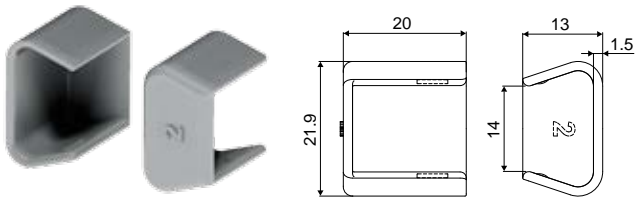
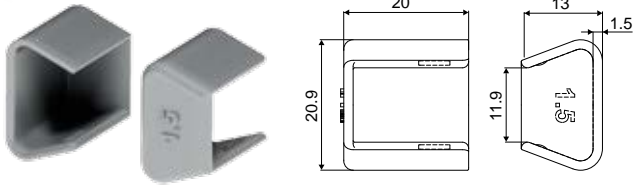


Product / chain guides and accessories

Part. **546** Closing cap
(for trapezoidal stainless steel profiles)

NEW



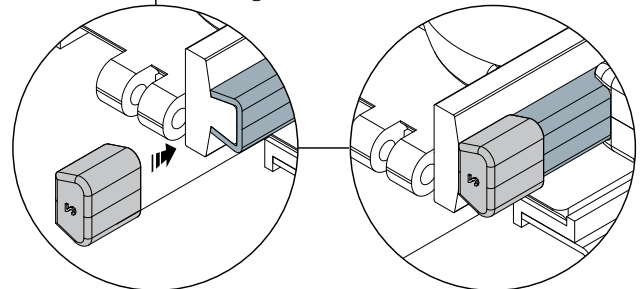
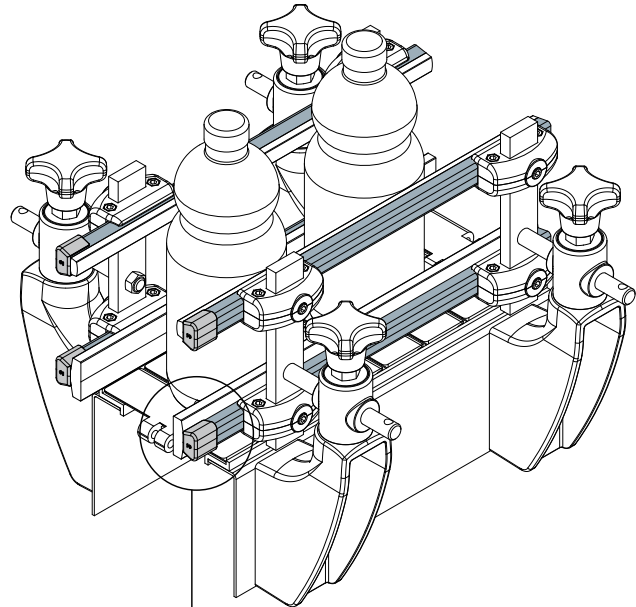
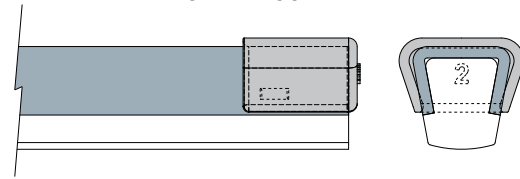
Code	For profiles of thickness (mm)
546 / 90635	1,5
546 / 90636	2,0

MATERIALS: Closing cap in polypropylene, grey Ral 7035 colour.
FEATURES: Used as a cap at the ends of the lateral guides Part.353, 354, 377, 418, 419, 420, 446, 469, 485, 514, 551; pressure assembly; available for versions with 1.5 and 2 mm. thick metal profile.
BOX QUANTITY: 96 pieces.

ON REQUEST:

- Caps: In orange Ral 2004 and blue Ral 5005 colours.
- Box quantity: According to your request.

Example of application



Example of application