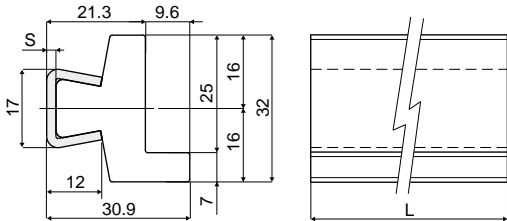


Chain guides and accessories

Part. 446 Chain guide rail (with metal profile)



Code	S	L
446 / 85355	1,5	6 Mt.
446 / 85356	1,5	3 Mt.
446 / 85358	2	6 Mt.
446 / 85357	2	3 Mt.

MATERIALS: Plastic profile in Polyethylene natural colour; metal profile in stainless steel AISI 304.
FEATURES: Supplied already assembled in lengths of 3 or 6 meters. Min. curvature radius: 200 mm. To be used with clamps Part.232, 484, 347, 205, 412, 413, 410, 411, 439, 230.

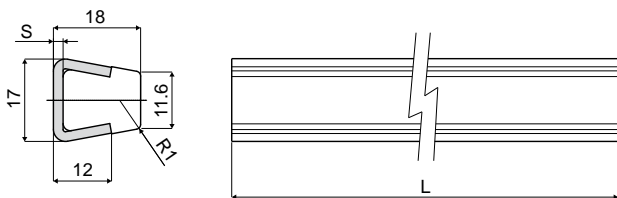
BOX QUANTITY:

- 3 Mt. lengths version: This item is sold in Mt. - Min. 6 Mt. (2 lengths);
- 6 Mt. lengths version: This item is sold in Mt. - Min. 12 Mt. (2 lengths).

ON REQUEST:

- Box quantity: According to your request.

Part. 377 Guide rail for high temperatures (with metal profile)



Code	S	L
377 / 85476	1,5	3 Mt.
377 / 83973	2	3 Mt.

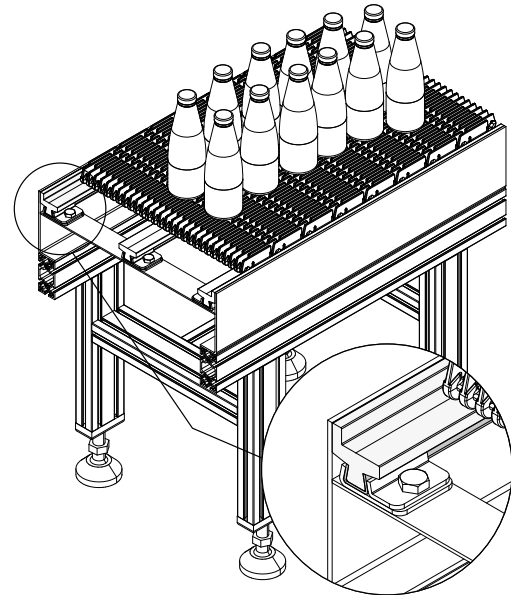
MATERIALS: Guide profile in PTFE (Teflon) natural colour; metal profile in stainless steel AISI 304.
FEATURES: To be used in every application where the resistance to the high temperatures is needed; for example: ovens, fryers, filling areas with high temperature, steam rooms, kitchens etc. Supplied in 3 meters lengths. Min. curvature radius: 145 mm. To be used with clamps Part.232, 484, 347, 205, 412, 413, 410, 411, 439, 230.

BOX QUANTITY: 2 bars of 3 meters (total 6 meters).

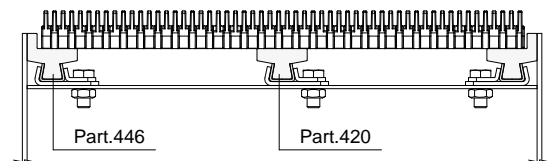
ON REQUEST:

- Box quantity: According to your request.

Example of application



Example of application



Example of application

