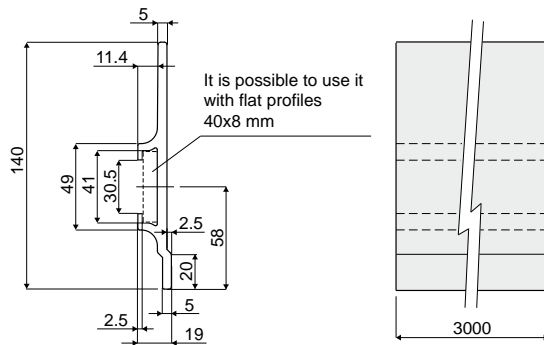


# Product guides and accessories

## Part. 536

### Profile (for the product side guide)

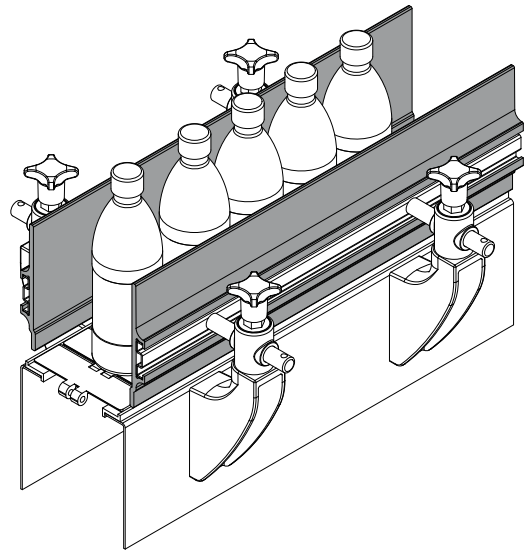


Code
536 / 88699

**MATERIALS:** Profile in HMWPE black colour.  
**FEATURES:** Supplied in lengths of 3 Mt. To be assembled with profiles Part.330, 375.  
**BOX QUANTITY:** This item is sold in Mt. - min. 6 Mt (2 pieces)  
**ON REQUEST:**

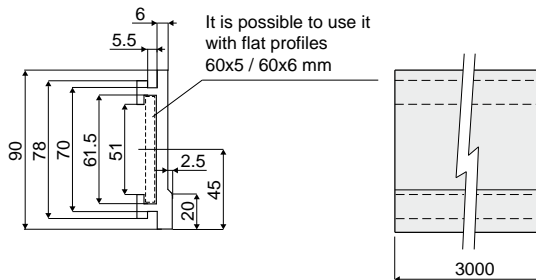
- Profiles: In HMWPE blue Ral 5005 colour.
- Box quantity: According to your request.

### Example of application



## Part. 515

### Profile (for the product side guide)

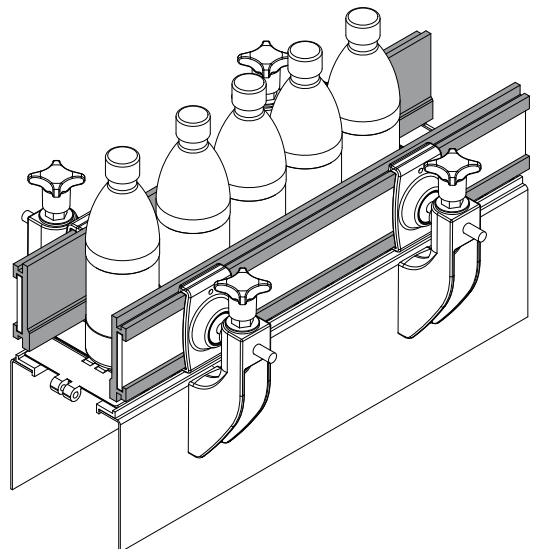


Code
515 / 87156

**MATERIALS:** Profile in HMWPE black colour.  
**FEATURES:** Supplied in lengths of 3 Mt. Min. curvature radius: 200 mm. To be assembled with clamps Part. 427, 434.  
**BOX QUANTITY:** This item is sold in Mt. - min. 6 Mt (2 pieces)  
**ON REQUEST:**

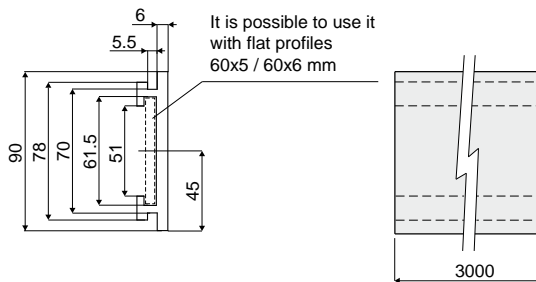
- Profiles: In HMWPE blue Ral 5005 colour.
- Box quantity: According to your request.

### Example of application



## Part. 534

### Profile (for the product side guide)



Code	Colour
534 / 88678	Black
534 / 89074	Blue Ral 5005

**MATERIALS:** Profile in HMWPE black or blue Ral 5005 colour.  
**FEATURES:** Supplied in lengths of 3 Mt. Min. curvature radius: 200 mm. To be assembled with clamps Part. 427, 434.  
**BOX QUANTITY:** This item is sold in Mt. - min. 6 Mt (2 pieces).  
**ON REQUEST:**

- Box quantity: According to your request.

### Example of application

