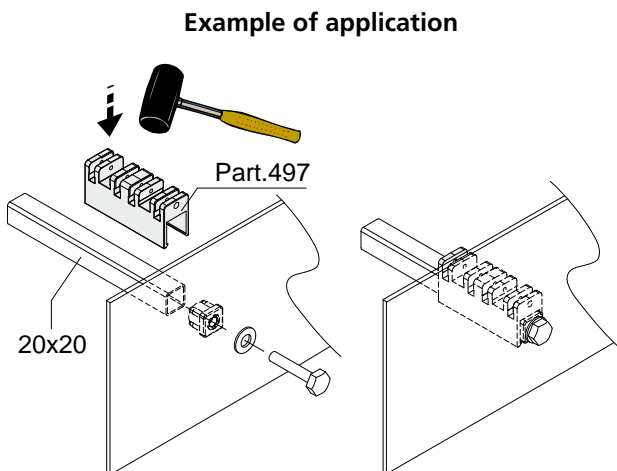
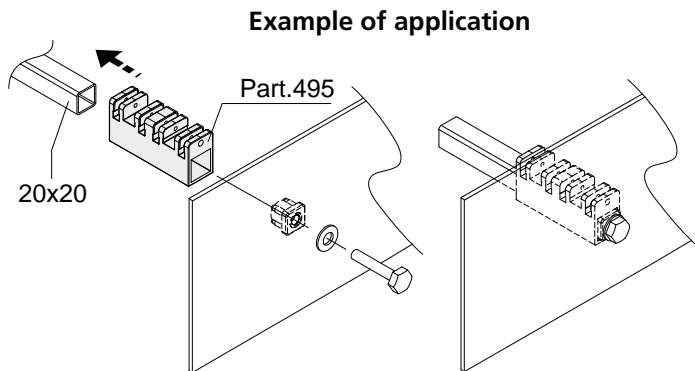
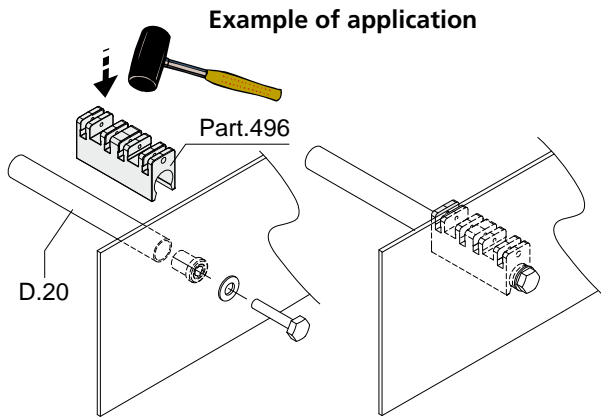
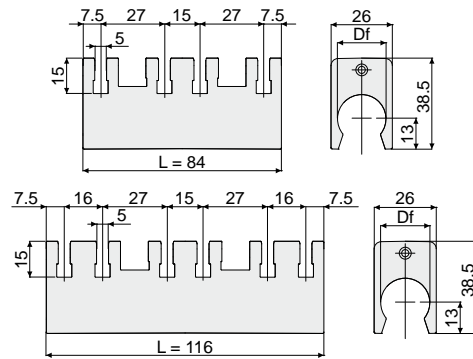


# Chain guides and accessories



## Spacer for chain return (open version, for round tubes)

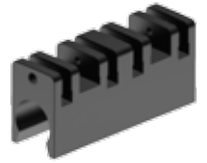


Df Bore for round tubes of (mm)	L	Code
20	84	496 / 87017
	116	496 / 87018

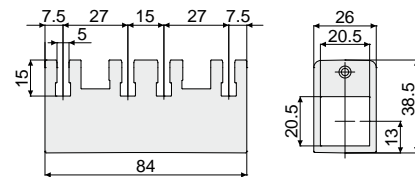
**MATERIALS:** Spacer in polyamide black colour.  
**FEATURES:** To be used together with the sliding profile Part.499.  
**BOX QUANTITY:** 24 pieces.  
**ON REQUEST:**

- Spacers: In various colours.
- Box quantity: According to your request.

Part. **496**



## Spacer for chain return (closed version, for square tubes)



Code
495 / 87016

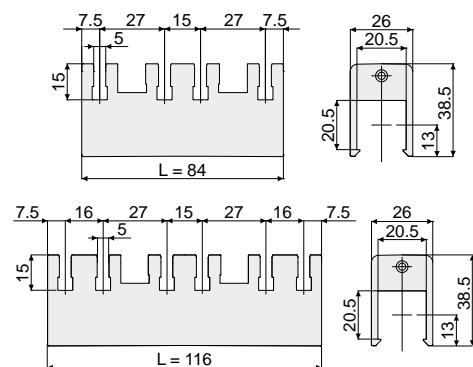
**MATERIALS:** Spacer in polyamide black colour.  
**FEATURES:** To be used together with the sliding profile Part.499.  
**BOX QUANTITY:** 24 pieces.  
**ON REQUEST:**

- Spacers: In various colours.
- Box quantity: According to your request.

Part. **495**



## Spacer for chain return (open version, for square tubes)



Df Bore for square tubes of (mm)	L	Code
20x20	84	497 / 87019
	116	497 / 87020

**MATERIALS:** Spacer in polyamide black colour.  
**FEATURES:** To be used together with the sliding profile Part.499.  
**BOX QUANTITY:** 24 pieces.  
**ON REQUEST:**

- Spacers: In various colours.
- Box quantity: According to your request.

Part. **497**

