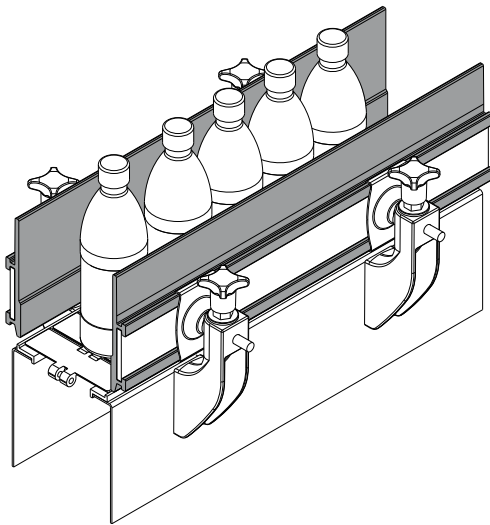
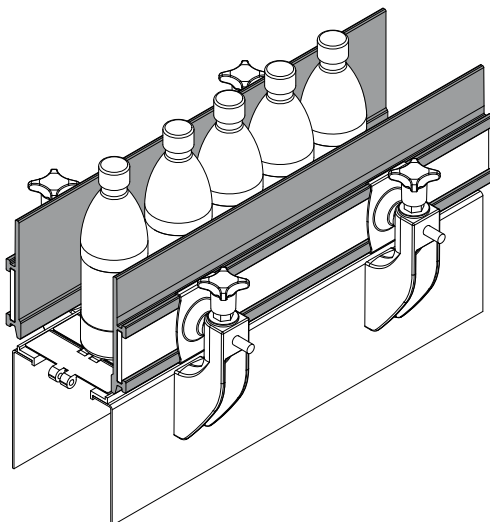


Product guides and accessories

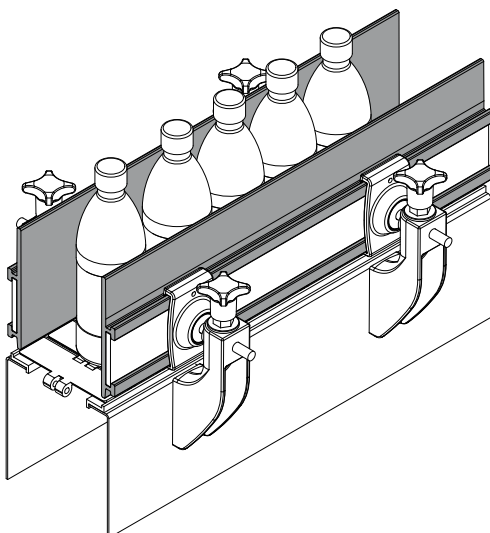
Example of application



Example of application

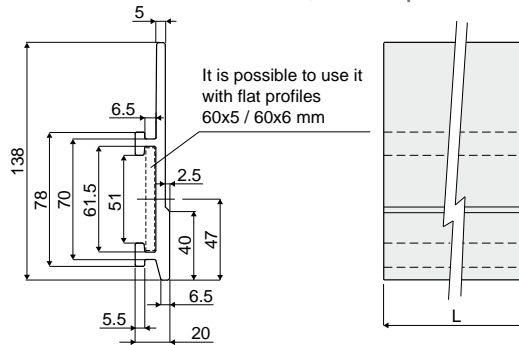


Example of application



Profile
(for the product side guide)

Part. **426**



Code	Colour	L
426 / 84994	Black	3 Mt.
426 / 84995	Black	6 Mt.
426 / 84996	Blue Ral 5005	3 Mt.
426 / 84997	Blue Ral 5005	6 Mt.

MATERIALS: Profile in HMWPE black or blue Ral 5005 colour.

FEATURES: Supplied in lengths of 3 or 6 Mt. Min. curvature radius: 200 mm. To be assembled with clamps Part. 427, 434.

BOX QUANTITY:

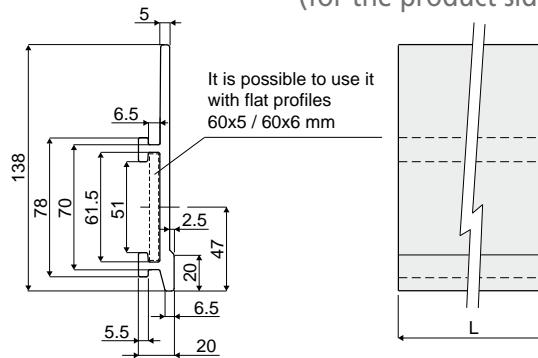
- 3 Mt. lengths version: This item is sold in Mt. - Min. 6 Mt. (2 lengths);
- 6 Mt. lengths version: This item is sold in Mt. - Min. 12 Mt. (2 lengths).

ON REQUEST:

- Box quantity: According to your request.

Profile
(for the product side guide)

Part. **425**



Code	Colour	L
425 / 84998	Black	3 Mt.
425 / 84999	Black	6 Mt.
425 / 85000	Blue Ral 5005	3 Mt.
425 / 85001	Blue Ral 5005	6 Mt.

MATERIALS: Profile in HMWPE black or blue Ral 5005 colour.

FEATURES: Supplied in lengths of 3 or 6 Mt. Min. curvature radius: 200 mm. To be assembled with clamps Part. 427, 434.

BOX QUANTITY:

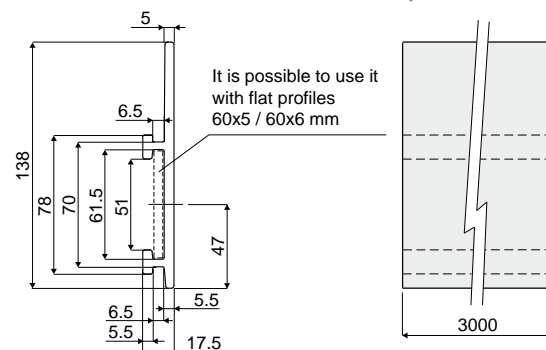
- 3 Mt. lengths version: This item is sold in Mt. - Min. 6 Mt. (2 lengths);
- 6 Mt. lengths version: This item is sold in Mt. - Min. 12 Mt. (2 lengths).

ON REQUEST:

- Box quantity: According to your request.

Profile
(for the product side guide)

Part. **518**



Code
518 / 87252

MATERIALS: Profile in HMWPE black colour.

FEATURES: Supplied in lengths of 3 Mt. Min. curvature radius: 200 mm. To be assembled with clamps Part. 427, 434.

BOX QUANTITY: This item is sold in Mt. - min. 6 Mt (2 pieces).

ON REQUEST:

- Profiles: In HMWPE blue Ral 5005 colour.
- Box quantity: According to your request.