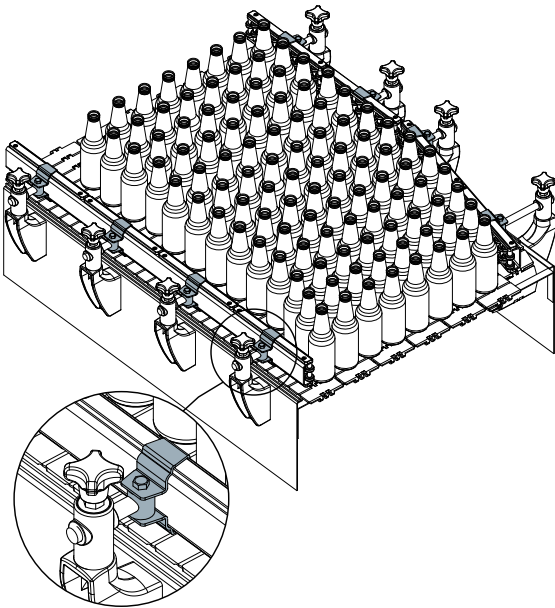
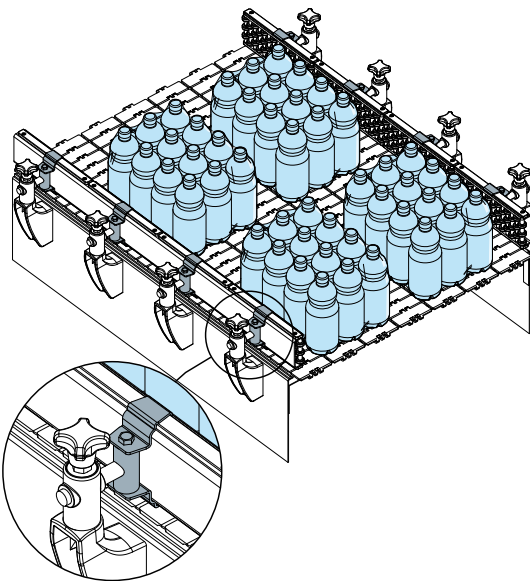


# Guide rail clamps

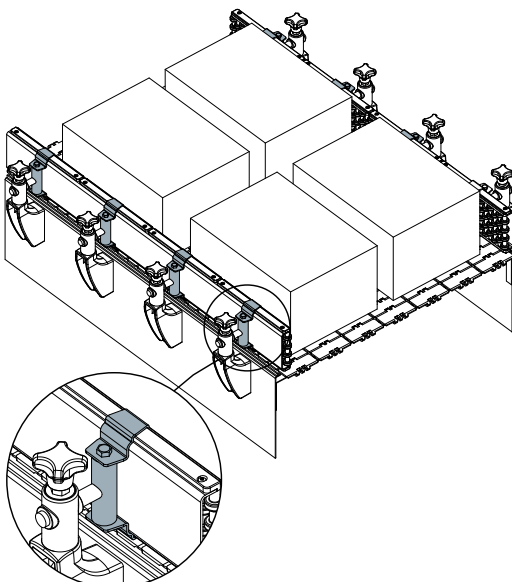
For heavy loads



For heavy loads



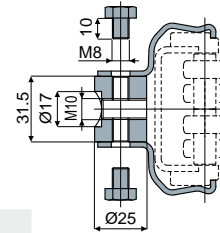
For heavy loads



## Clamp kit for guide rail (double type, rectilinear)

Part. **548**

**NEW**



Material	Code
Zinc plated steel	548 / 90442
Stainless steel AISI 304	548 / 90443

**MATERIALS:** Clamp, screws and spacer in zinc plated steel or stainless steel AISI 304.

**FEATURES:** To be used with side guides Part.501. It can be used with our pin Part.301 Type 2.

**BOX QUANTITY:** 8 pieces.

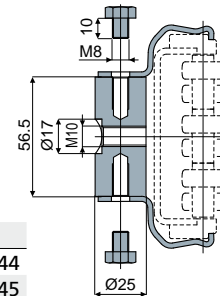
**ON REQUEST:**

- Box quantity: According to your request.

## Clamp kit for guide rail (triple type, rectilinear)

Part. **548**

**NEW**



Material	Code
Zinc plated steel	548 / 90444
Stainless steel AISI 304	548 / 90445

**MATERIALS:** Clamp, screws and spacer in zinc plated steel or stainless steel AISI 304.

**FEATURES:** To be used with side guides Part.501. It can be used with our pin Part.301 Type 2.

**BOX QUANTITY:** 8 pieces.

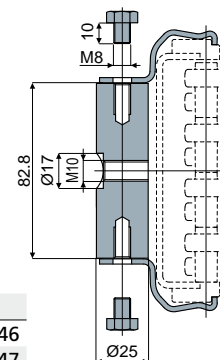
**ON REQUEST:**

- Box quantity: According to your request.

## Clamp kit for guide rail (quadruple type, rectilinear)

Part. **548**

**NEW**



Material	Code
Zinc plated steel	548 / 90446
Stainless steel AISI 304	548 / 90447

**MATERIALS:** Clamp, screws and spacer in zinc plated steel or stainless steel AISI 304.

**FEATURES:** To be used with side guides Part.501. It can be used with our pin Part.301 Type 2.

**BOX QUANTITY:** 8 pieces.

**ON REQUEST:**

- Box quantity: According to your request.