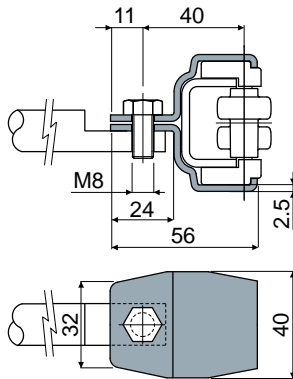


Guide rail clamps

Part. 521

Guide rail clamp (for Part.501, 502)



Material	Code
Zinc plated steel	521 / 87310
Stainless steel AISI 304	521 / 87311

MATERIALS: Clamp made in zinc plated steel or in stainless steel AISI 304.

FEATURES: To be used with Part.501, 502. If mounted on double, triple or quadruple type side guides, use a suitable spacer (see drawing opposite).

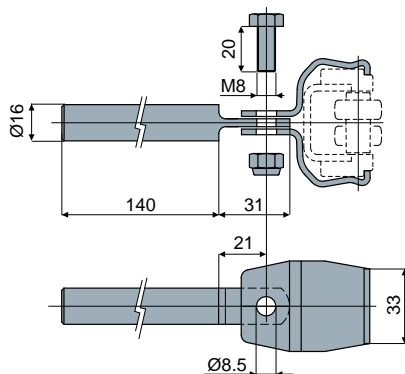
BOX QUANTITY: 24 pieces.

ON REQUEST:

- Box quantity: According to your request.

Part. 548

Clamp kit for guide rail (single type, rectilinear and curvilinear)



Material	Code
Zinc plated steel	548 / 90440
Stainless steel AISI 304	548 / 90441

MATERIALS: Pin, clamp, nut and screw in zinc plated steel or stainless steel AISI 304.

FEATURES: To be used with side guides Part.501, 502.

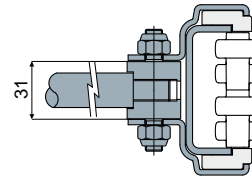
BOX QUANTITY: 8 pieces.

ON REQUEST:

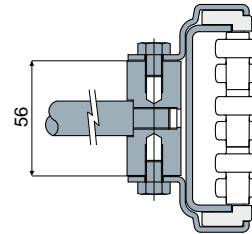
- Box quantity: According to your request.

Example of applications

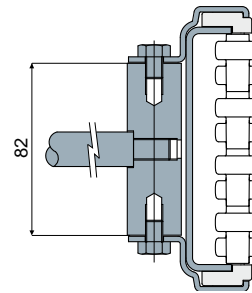
Double type side guide



Triple type side guide



Quadruple type side guide



For heavy loads

