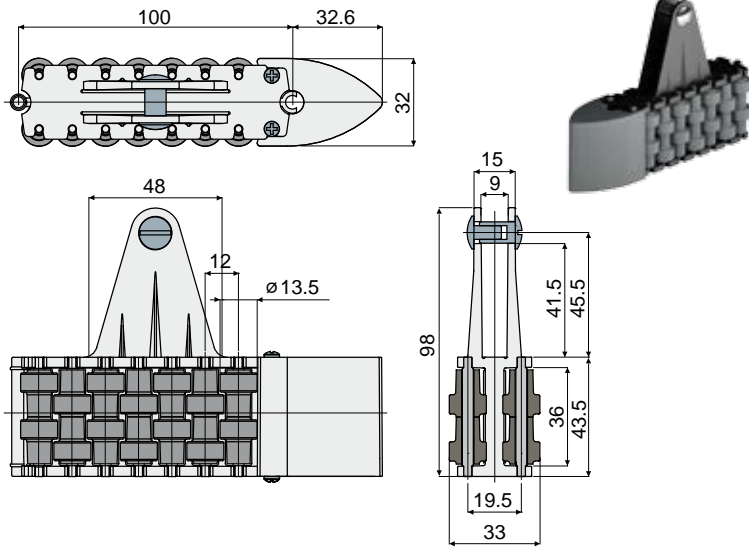


# Product guides and accessories

## Part. 450 Separation Block with round rollers (for Part.453)



Pins made of acetal	Pins made of stainless steel AISI 304
Code	Code
450 / 85376	450 / 85461

**MATERIALS:** Rollers in polyethylene grey colour; module in acetal resin black colour; shoe in acetal resin grey colour; support pins in black acetal or in stainless steel AISI 304.

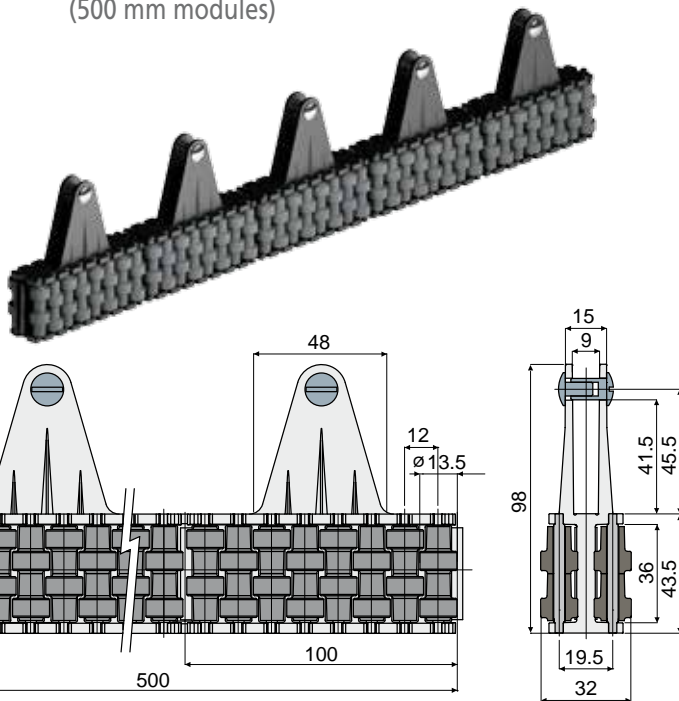
**FEATURES:** Supplied already assembled (1 module + 1 shoe); for 40x8 mm plate.

**BOX QUANTITY:** 6 pieces.

**ON REQUEST:**

- Module and rollers: In different colours.
- Box quantity: According to your request.

## Part. 453 Roller central guide with round rollers (500 mm modules)



Pins made of acetal	Pins made of stainless steel AISI 304
Code	Code
453 / 85379	453 / 85469

**MATERIALS:** Rollers in polyethylene grey colour; modules in acetal resin black colour; support pins in black acetal or in stainless steel AISI 304.

**FEATURES:** Supplied already assembled, in modules of 500 mm length, for 40x8 mm plate.

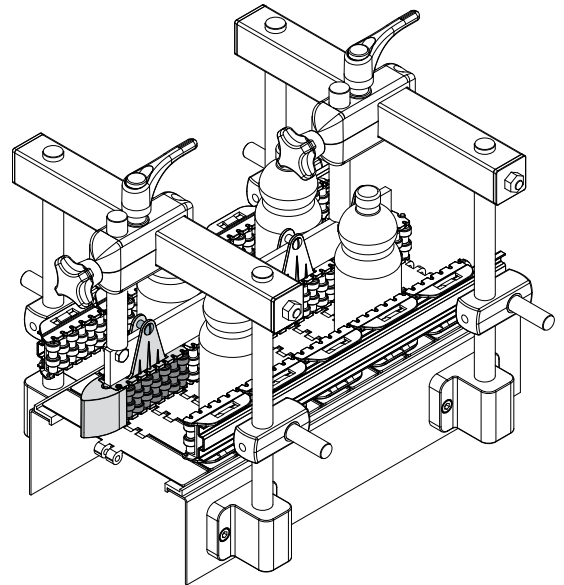
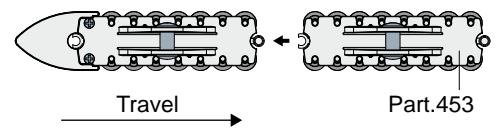
Min. curvature radius: 335 mm.

**BOX QUANTITY:** 12 pieces.

**ON REQUEST:**

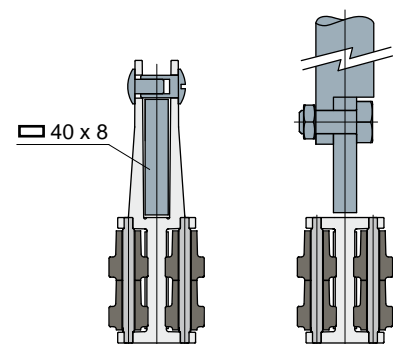
- Module and rollers: In different colours.
- Box quantity: According to your request.

### Example of application



### Example of application

#### Fixing with plate



#### Fixing with metal profile

