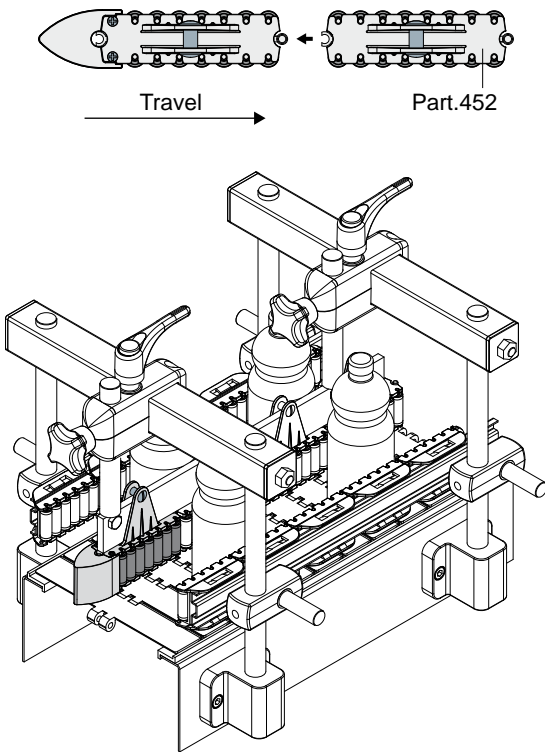
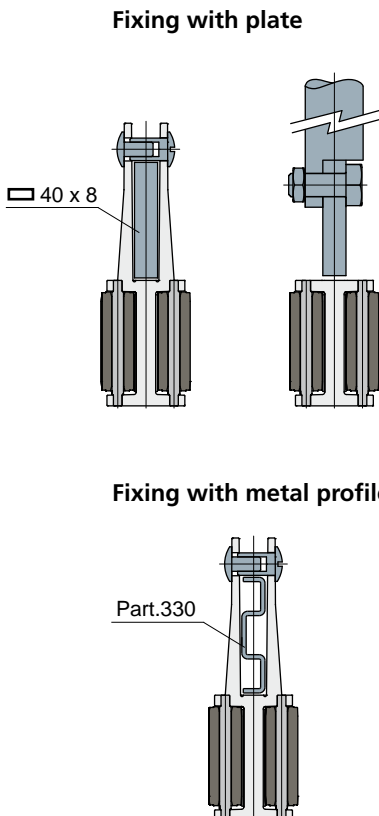


Product guides and accessories

Example of application

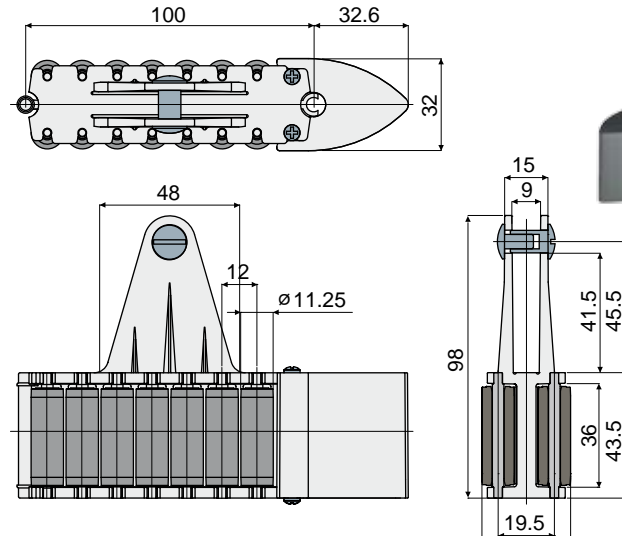


Example of application



Separation Block with cylinders (for Part.452)

Part. **449**



Pins made of acetal	Pins made of stainless steel AISI 304
Code	Code
449 / 85375	449 / 85460

MATERIALS: Rollers in polyethylene grey colour; module in acetal resin black colour; shoe in acetal resin grey colour; support pins in black acetal or in stainless steel AISI 304.

FEATURES: Supplied already assembled (1 module + 1 shoe); for 40x8 mm plate.

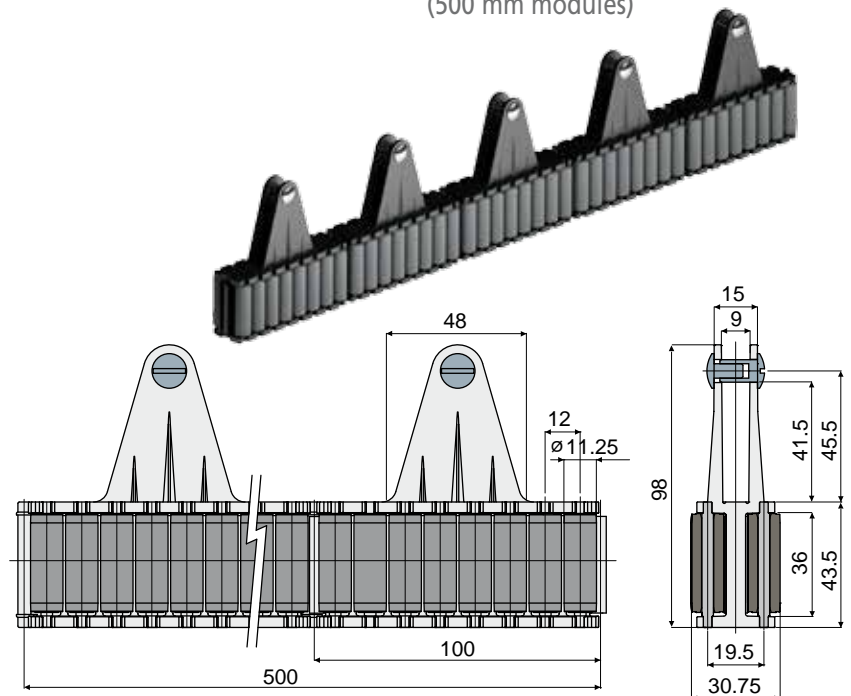
BOX QUANTITY: 6 pieces.

ON REQUEST:

- Module and rollers: In different colours.
- Box quantity: According to your request.

Roller central guide with cylinders (500 mm modules)

Part. **452**



Pins made of acetal	Pins made of stainless steel AISI 304
Code	Code
452 / 85378	452 / 85468

MATERIALS: Rollers in polyethylene grey colour; modules in acetal resin black colour; support pins in black acetal or in stainless steel AISI 304.

FEATURES: Supplied already assembled, in modules of 500 mm length, for 40x8 mm plate. Min. curvature radius: 335 mm.

BOX QUANTITY: 12 pieces.

ON REQUEST:

- Module and rollers: In different colours.
- Box quantity: According to your request.