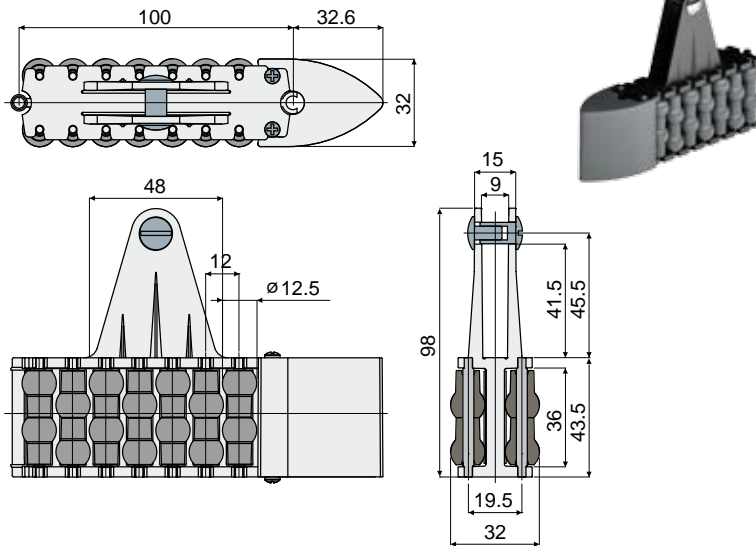


Product guides and accessories

Part. 448 Separation Block with pearls (for Part.451)



Pins made of acetal	Pins made of stainless steel AISI 304
Code	Code
448 / 85374	448 / 85459

MATERIALS: Rollers in polyethylene grey colour; module in acetal resin black colour; shoe in acetal resin grey colour; support pins in black acetal or in stainless steel AISI 304.

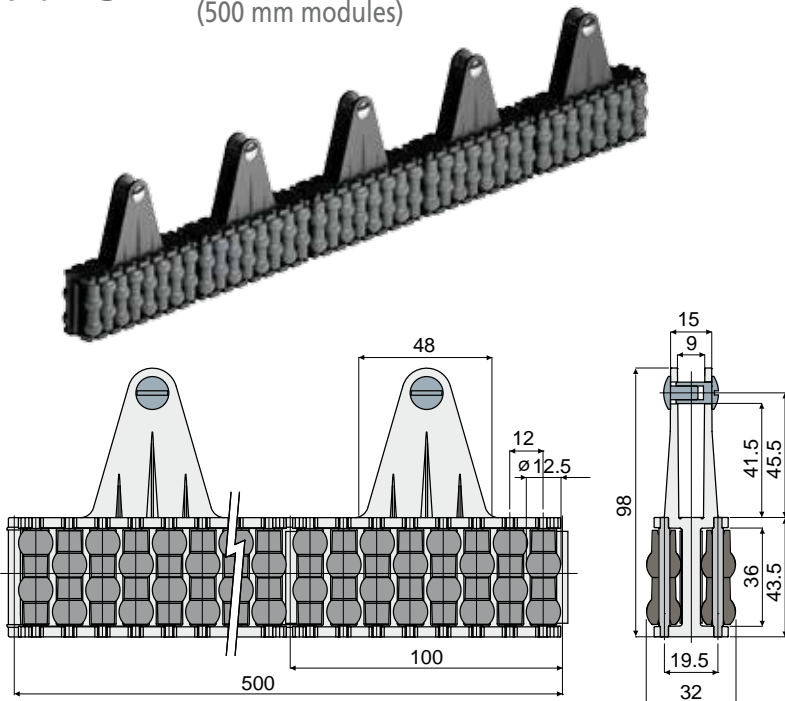
FEATURES: Supplied already assembled (1 module + 1 shoe); for 40x8 mm plate.

BOX QUANTITY: 6 pieces.

ON REQUEST:

- Module and rollers: In different colours.
- Box quantity: According to your request.

Part. 451 Roller central guide with pearls (500 mm modules)



Pins made of acetal	Pins made of stainless steel AISI 304
Code	Code
451 / 85377	451 / 85467

MATERIALS: Rollers in polyethylene grey colour; modules in acetal resin black colour; support pins in black acetal or in stainless steel AISI 304.

FEATURES: Supplied already assembled, in modules of 500 mm length, for 40x8 mm plate.

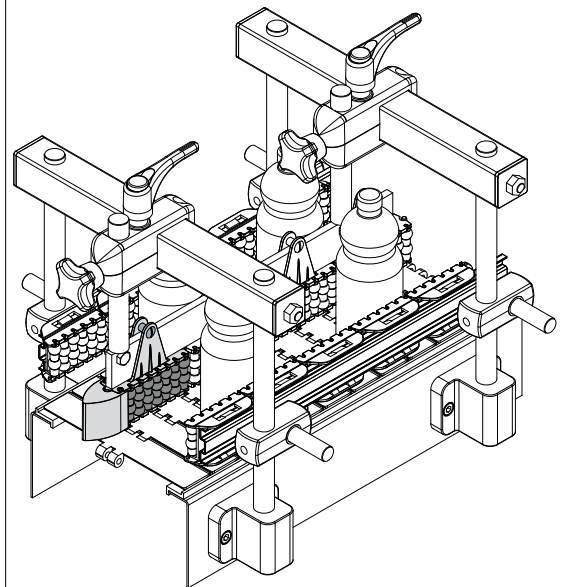
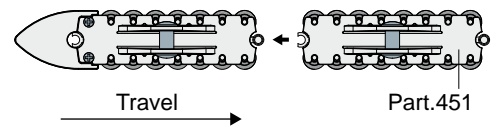
Min. curvature radius: 335 mm.

BOX QUANTITY: 12 pieces.

ON REQUEST:

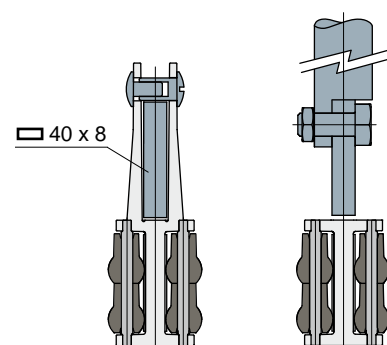
- Module and rollers: In different colours.
- Box quantity: According to your request.

Example of application



Example of application

Fixing with plate



Fixing with metal profile

