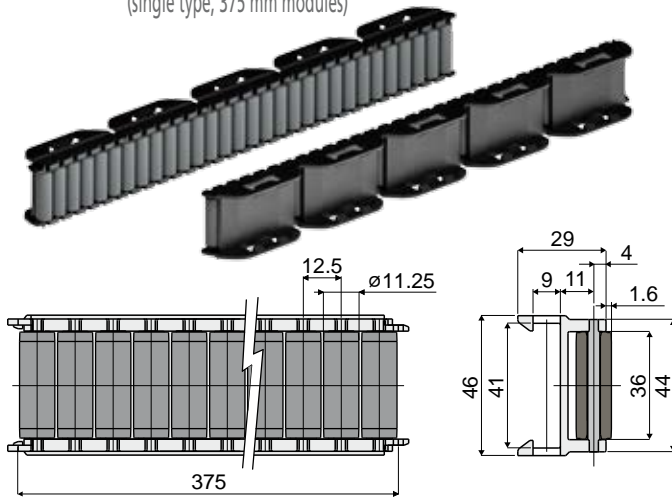


Product guides and accessories

Part. 339 Roller side guide with cylinders (single type, 375 mm modules)



Pins made of acetal	Pins made of stainless steel AISI 304
Code	Code
339 / 83319	339 / 86718

MATERIALS: Rollers in polyethylene grey colour; modules in acetal resin black colour; support pins in black acetal or in stainless steel AISI 304.

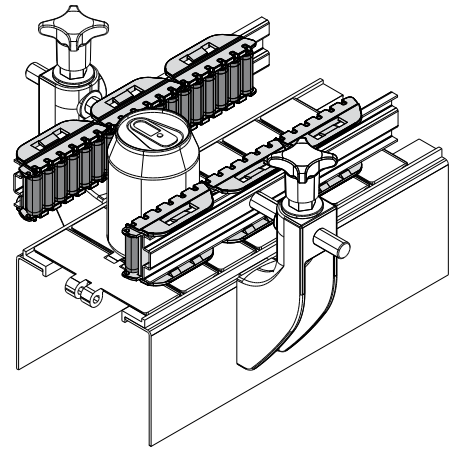
FEATURES: Supplied already assembled, in modules of 375 mm length, for 40x8 mm plate. Min. curvature radius: ext = 500 mm; int. = 350 mm.

BOX QUANTITY: 16 pieces.

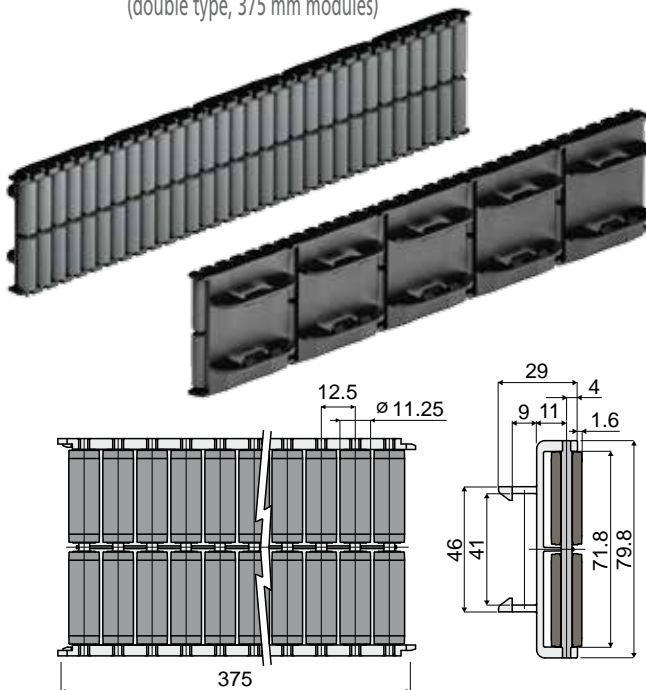
ON REQUEST:

- Module and rollers: In different colours.
- Box quantity: According to your request.

Example of application



Part. 422 Roller side guide with cylinders (double type, 375 mm modules)



Pins made of acetal	Pins made of stainless steel AISI 304
Code	Code
422 / 84817	422 / 85273

MATERIALS: Rollers in polyethylene grey colour; modules in acetal resin black colour; support pins in black acetal or in stainless steel AISI 304.

FEATURES: Supplied already assembled, in modules of 375 mm length, for 40x8 mm plate. Min. curvature radius: ext = 500 mm; int. = 350 mm.

BOX QUANTITY: 16 pieces.

ON REQUEST:

- Module and rollers: In different colours.
- Box quantity: According to your request.

Example of application

