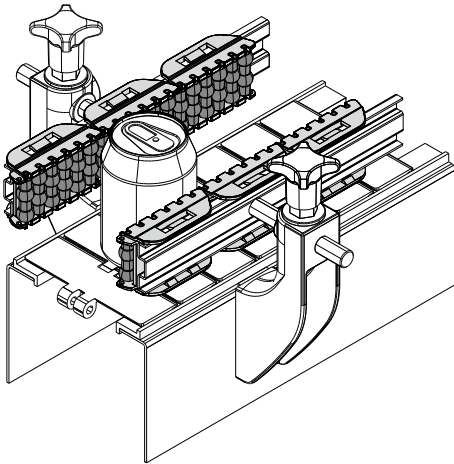
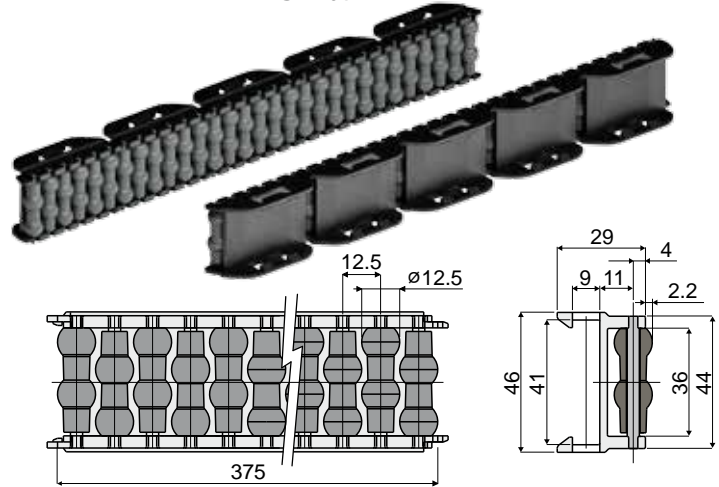


Product guides and accessories

Example of application



Roller side guide with pearls Part. 345 (single type, 375 mm modules)



Pins made of acetal	Pins made of stainless steel AISI 304
Code	Code
345 / 83380	345 / 86717

MATERIALS: Rollers in polyethylene grey colour; modules in acetal resin black colour; support pins in black acetal or in stainless steel AISI 304.

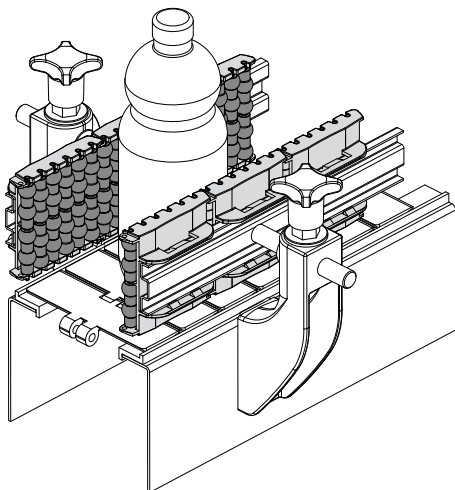
FEATURES: Supplied already assembled, in modules of 375 mm length, for 40x8 mm plate. Min. curvature radius: ext = 500 mm; int. = 350 mm.

BOX QUANTITY: 16 pieces.

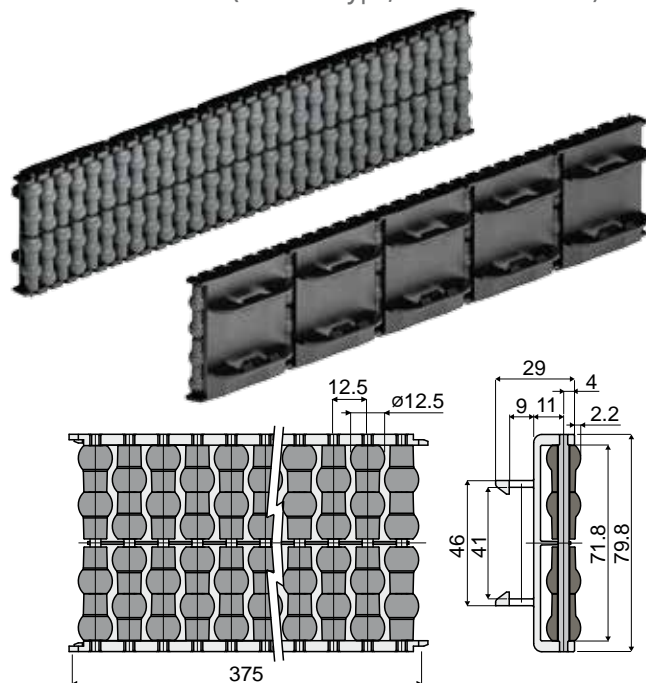
ON REQUEST:

- Module and rollers: In different colours.
- Box quantity: According to your request.

Example of application



Roller side guide with pearls Part. 423 (double type, 375 mm modules)



Pins made of acetal	Pins made of stainless steel AISI 304
Code	Code
423 / 84818	423 / 85272

MATERIALS: Rollers in polyethylene grey colour; modules in acetal resin black colour; support pins in black acetal or in stainless steel AISI 304.

FEATURES: Supplied already assembled, in modules of 375 mm length, for 40x8 mm plate. Min. curvature radius: ext = 500 mm; int. = 350 mm.

BOX QUANTITY: 16 pieces.

ON REQUEST:

- Module and rollers: In different colours.
- Box quantity: According to your request.