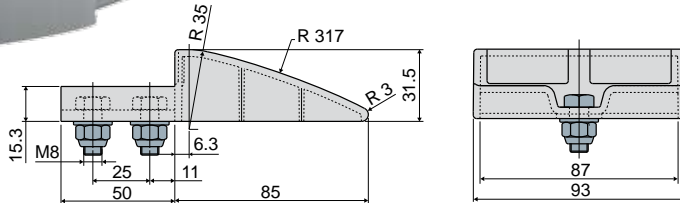


# Product guides and accessories

## Part. 342 Separation Block for roller side guide (double type)



Code	Material
342 / 83361	Polyethylene
342 / 85984	PA + auto-lubricating additive

**MATERIALS:** Separation block in polyethylene or in polyamide with auto-lubricating additive; bolts and nuts in stainless steel AISI 304.

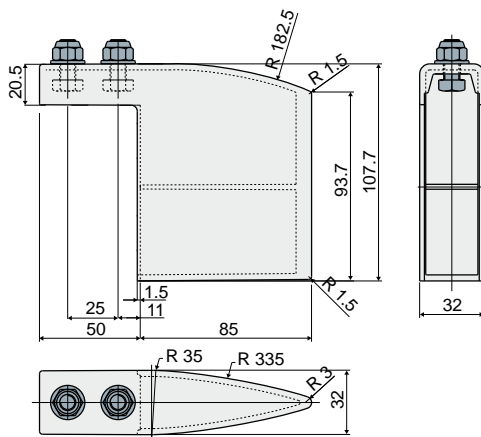
**FEATURES:** To be used at the end of the side guides (Part.307, 474, 326, 477, 356), to help the arrival of the products. The version with auto-lubricating additive guarantees maximum smoothness of the product. Supplied complete with bolts and nuts.

**BOX QUANTITY:** 8 pieces.

**ON REQUEST:**

- Separation blocks: In different colours.
- Box quantity: According to your request.

## Part. 343 Separation Block for roller central guide (double type)



Code	Material
343 / 83363	Polyethylene
343 / 85985	PA + auto-lubricating additive

**MATERIALS:** Separation block in polyethylene or in polyamide with auto-lubricating additive; bolts and nuts in stainless steel AISI 304.

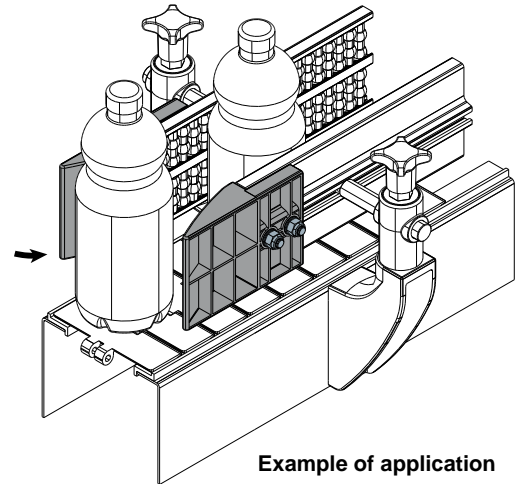
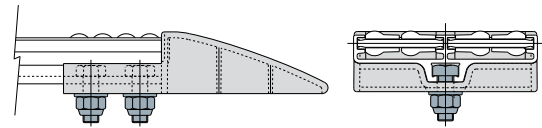
**FEATURES:** To be used at the end of the central guides (Part.319, 476, 328, 479, 358), to help the arrival of the products. The version with auto-lubricating additive guarantees maximum smoothness of the product. Supplied complete with bolts and nuts.

**BOX QUANTITY:** 8 pieces.

**ON REQUEST:**

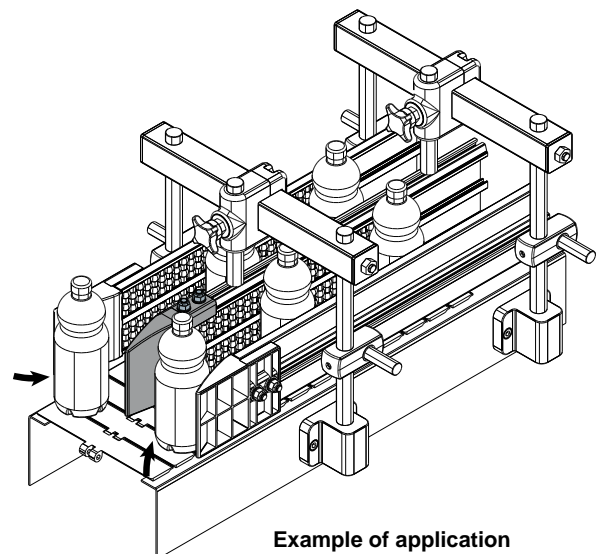
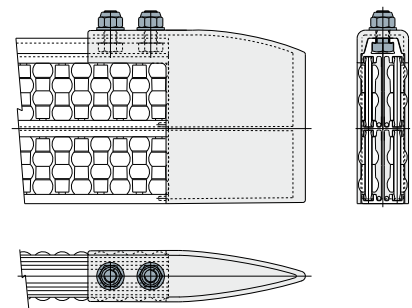
- Separation blocks: In different colours.
- Box quantity: According to your request.

Example of application



Example of application

Example of application



Example of application



Suitable for applications which require maximum smoothness.