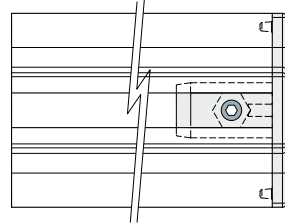
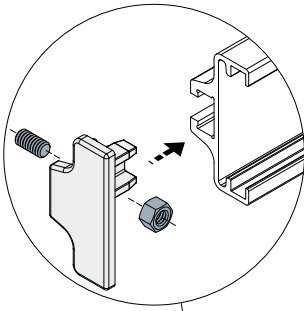
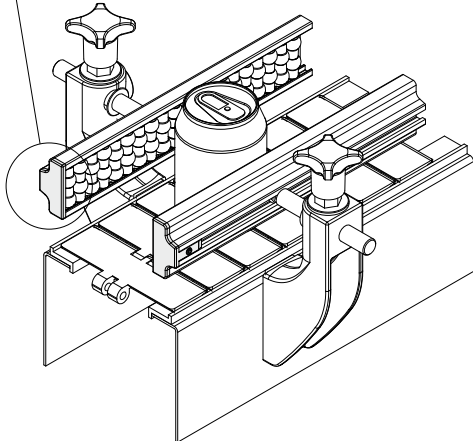


Product guides and accessories

Example of application

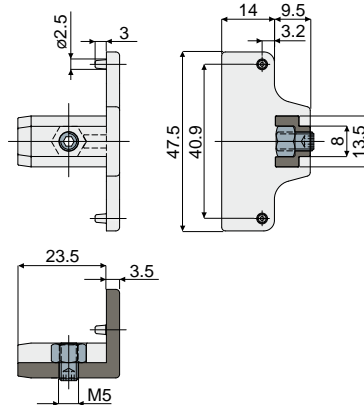


Example of application



Closing cap (for side guides, single type)

Part. **415**



Code
415 / 84547

MATERIALS: Cap in reinforced polyamide grey colour; nut and grub screw in stainless steel AISI 304.

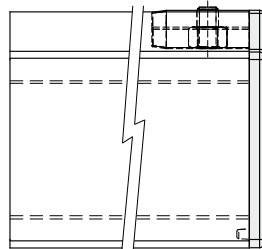
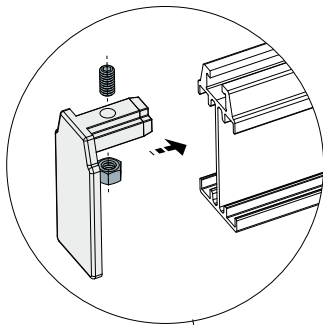
FEATURES: To be used as a closure cap at the extremities of the side guides: Part.306, 468, 325, 467, 355, 464.

BOX QUANTITY: 24 pieces.

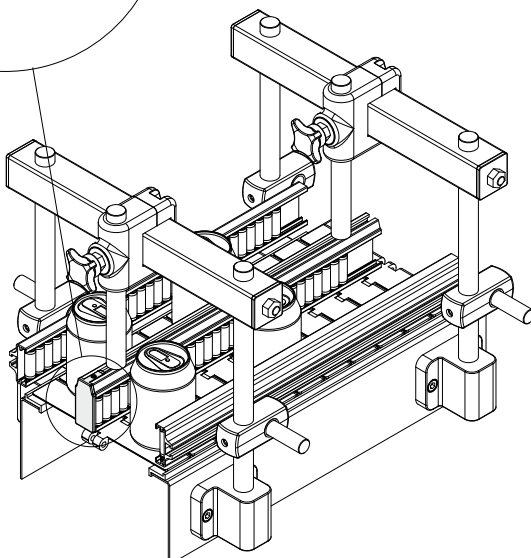
ON REQUEST:

- Caps: In different colours.
- Assembling of: Nuts and grub screws.
- Box quantity: According to your request.

Example of application

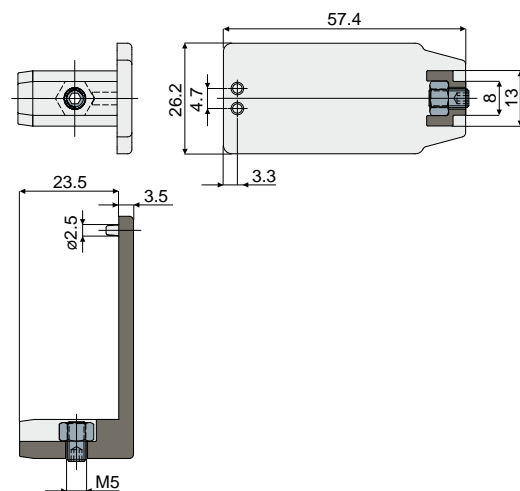


Example of application



Closing cap (for central guides, single type)

Part. **481**



Code
481 / 86002

MATERIALS: Cap in reinforced polyamide grey colour; nut and grub screw in stainless steel AISI 304.

FEATURES: To be used as a closure cap at the extremities of the central guides: Part.308, 475, 327, 478, 357, 480.

BOX QUANTITY: 24 pieces.

ON REQUEST:

- Caps: In different colours.
- Assembling of: Nuts and grub screws.
- Box quantity: According to your request.