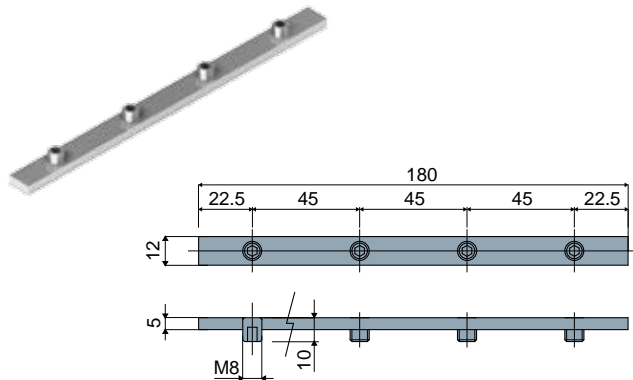


Product guides and accessories

Part. 318 Connecting bar for guides



Bar in zinc plated steel	Bar in stainless steel AISI 304
Code	Code
318 / 82913	318 / 90415

MATERIALS: Bar made of zinc plated steel or stainless steel AISI 304; screws M8x10 made of zinc plated steel or stainless steel.

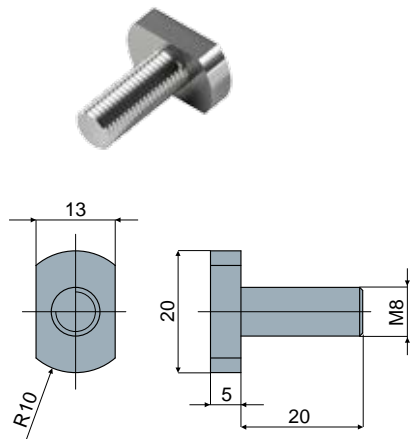
FEATURES: To be used for connecting the metal profiles of Part. 306, 307, 308, 319, 468, 474, 475, 476, 325, 326, 327, 328, 467, 477, 478, 479, 355, 356, 357, 358, 464, 480, 320, 321, 322, 323, 381 (Type 2), 384 (Type 2).

BOX QUANTITY: 8 pieces.

ON REQUEST:

- Box quantity: According to your request.

Part. 437 Screw with shaped head (hammer head)



Screw in zinc plated steel	Screw in stainless steel AISI 304
Code	Code
437 / 85235	437 / 90419

MATERIALS: Screw in zinc plated steel or stainless steel AISI 304.

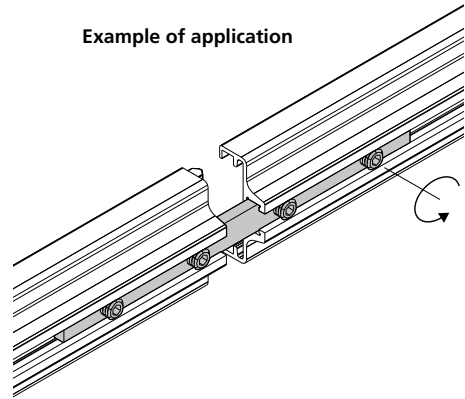
FEATURES: To be used with guides Part.306, 307, 308, 319, 468, 474, 475, 476, 325, 326, 327, 328, 467, 477, 478, 479, 355, 356, 357, 358, 464, 480, 320, 321, 322, 323, 381, 384.

BOX QUANTITY: 24 pieces.

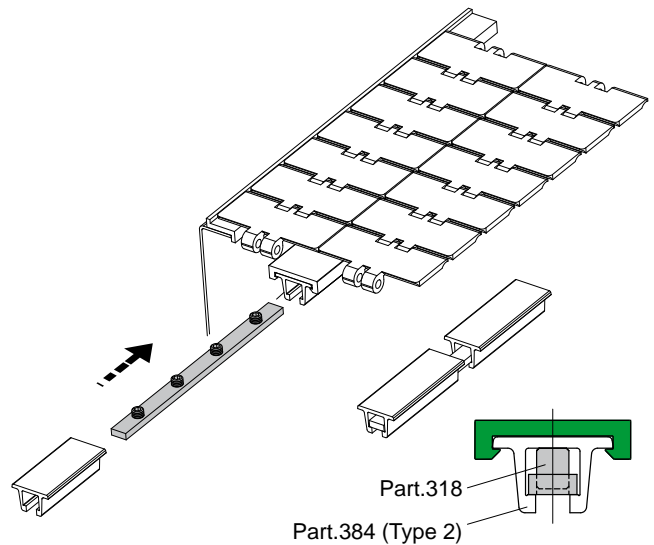
ON REQUEST:

- Box quantity: According to your request.

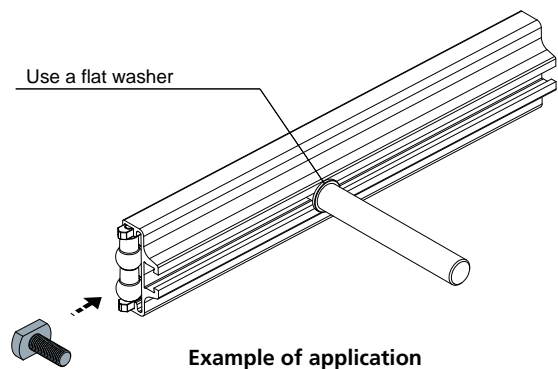
Example of application



Example of application



Example of application



Example of application

