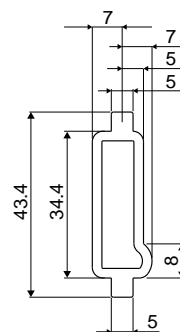
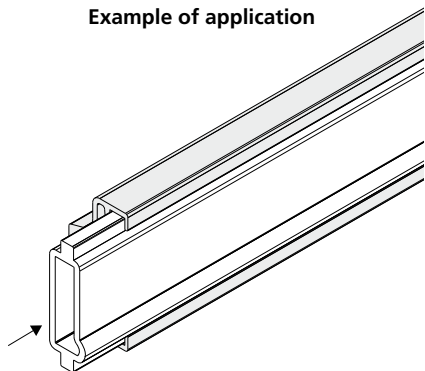


Product guides and accessories

Guide profile for products Part. **329**

Example of application



Code
329 / 83007

MATERIALS: Profile made of natural polyethylene white colour.

FEATURES: Supplied in bars of 3 meters length.

To be used with guides Part.320, 321, 322, 323.

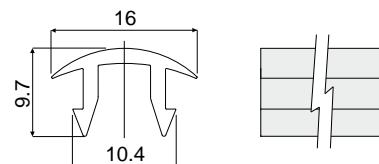
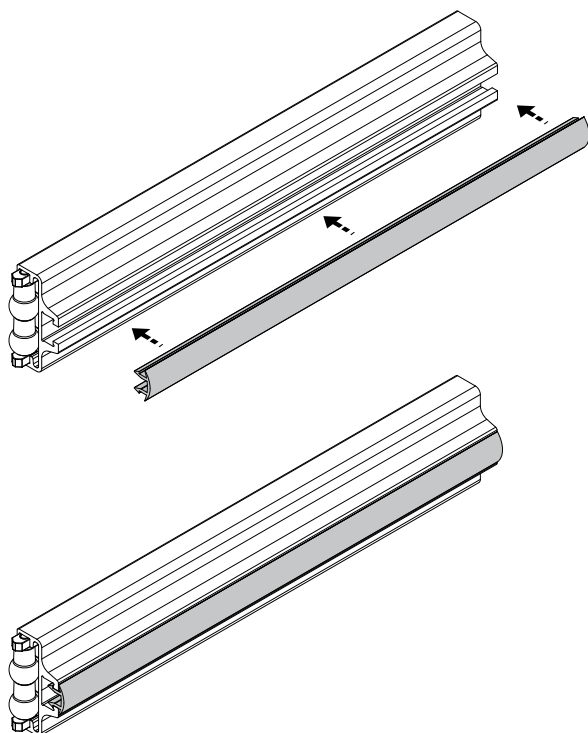
BOX QUANTITY: 8 bars of 3 meters (total 24 meters).

ON REQUEST:

- Box quantity: According to your request.

Slot closing profile Part. **522**

Example of application



Code
522 / 87355

MATERIALS: Profile made of soft PVC grey colour.

FEATURES: To be used with guides Part.306, 307, 308, 319, 468, 474, 475, 476, 325, 326, 327, 328, 467, 477, 478, 479, 355, 356, 357, 358, 464, 480, 320, 321, 322, 323, 381, 384.

Pressure mounting.

BOX QUANTITY: This item is sold in Mt. - Min. 24 Mt.

ON REQUEST:

- Box quantity: According to your request.