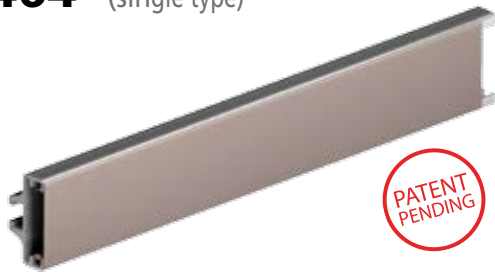
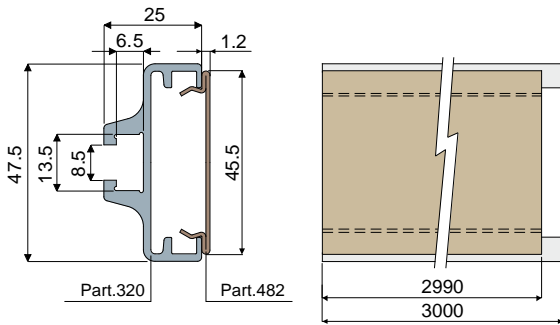


# Product guides and accessories

## Part. 464 Side guide (single type)



PATENT PENDING



Code

464 / 85561

**MATERIALS:** Metal profile in anodized aluminium; guide profile in stainless steel AISI 304 covered with peek.

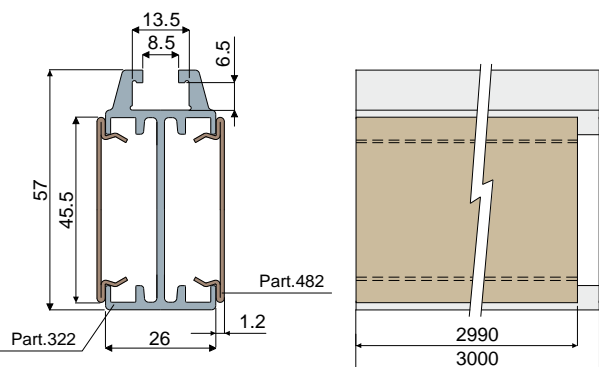
**FEATURES:** Suitable for use with bundles covered with shrink-wrapped polyethylene film. The coating with peek guarantees maximum smoothness of the product. Suitable for high temperatures applications. Peek covering thickness: min. 40 µ, max 50 µ. Supplied already assembled, in bars of 3 meters length.

**BOX QUANTITY:** 2 bars of 3 meters (total 6 meters).

## Part. 480 Central guide (single type)



PATENT PENDING



Code

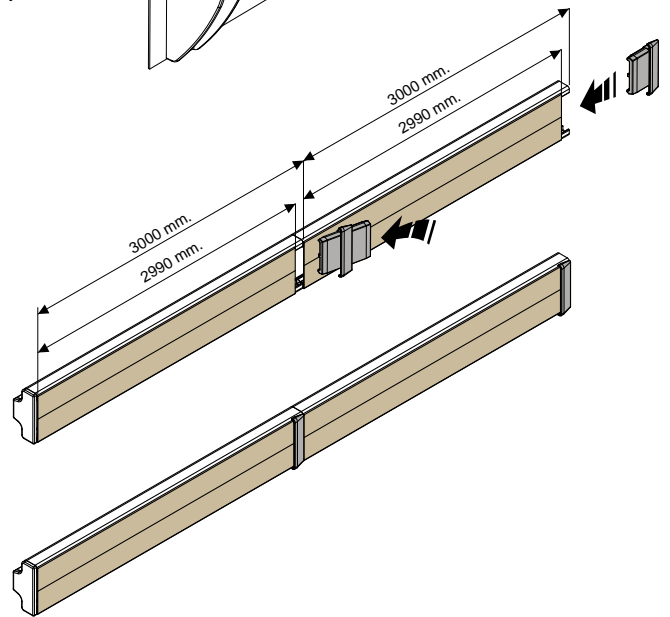
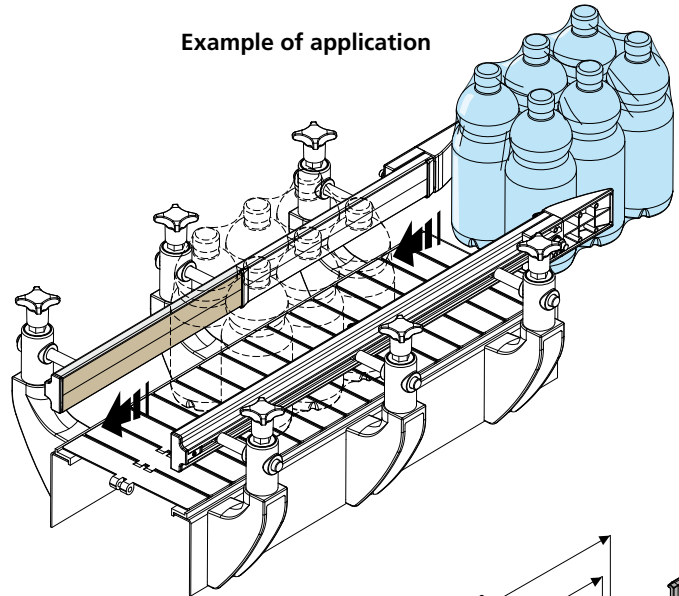
480 / 86696

**MATERIALS:** Metal profile in anodized aluminium; guide profile in stainless steel AISI 304 covered with peek.

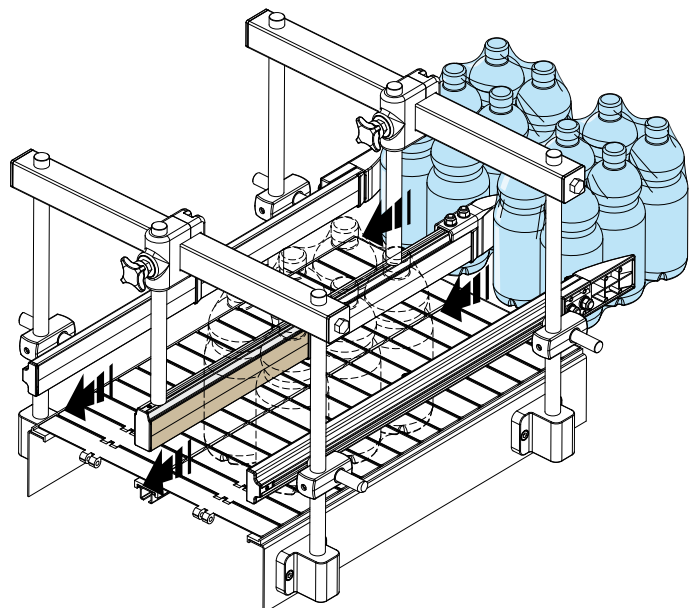
**FEATURES:** Suitable for use with bundles covered with shrink-wrapped polyethylene film. The coating with peek guarantees maximum smoothness of the product. Suitable for high temperatures applications. Peek covering thickness: min. 40 µ, max 50 µ. Supplied already assembled, in bars of 3 meters length.

**BOX QUANTITY:** 2 bars of 3 meters (total 6 meters).

### Example of application



### Example of application



Suitable for applications which require maximum smoothness.



Suitable for use with bundles covered with shrink-wrapped polyethylene film.



Suitable for high temperatures applications.