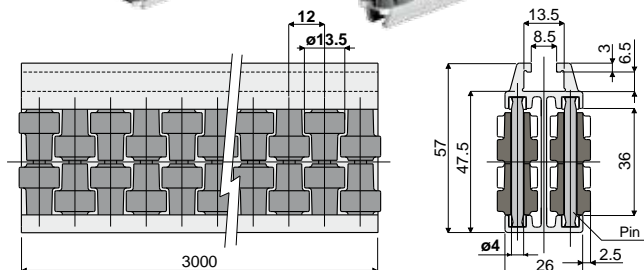
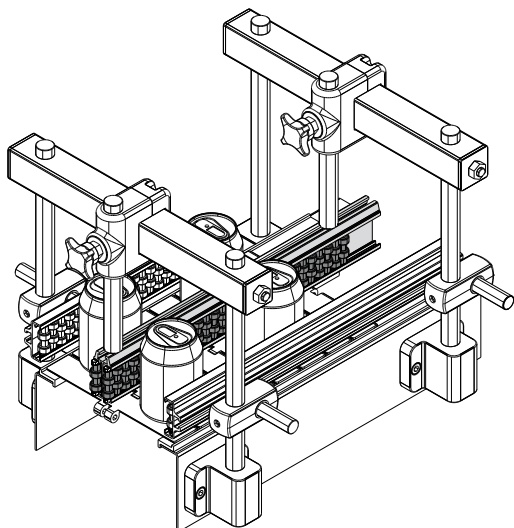


Product guides and accessories

Roller central guide with round rollers (single type, pitch of the rollers: 12 mm.)

Part. **357**

Example of application



Pins made of acetal	Pins made of stainless steel AISI 304
Code	Code
357 / 83475	357 / 84559

MATERIALS: Metal profile in anodized aluminium; rollers in grey polyethylene; support pins in white acetal or in stainless steel AISI 304.

FEATURES: Supplied already assembled, in bars of 3 meters length.
Min. curvature radius: 500 mm.

BOX QUANTITY: 2 bars of 3 meters (total 6 meters).

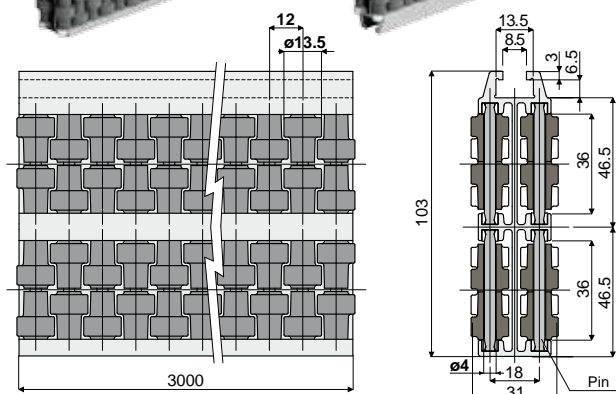
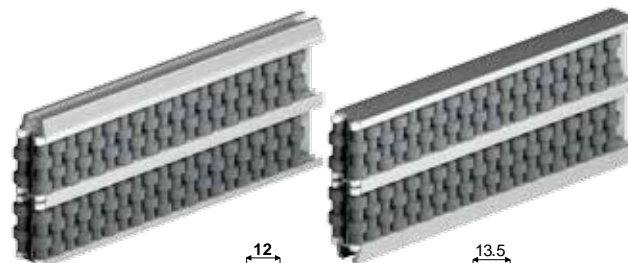
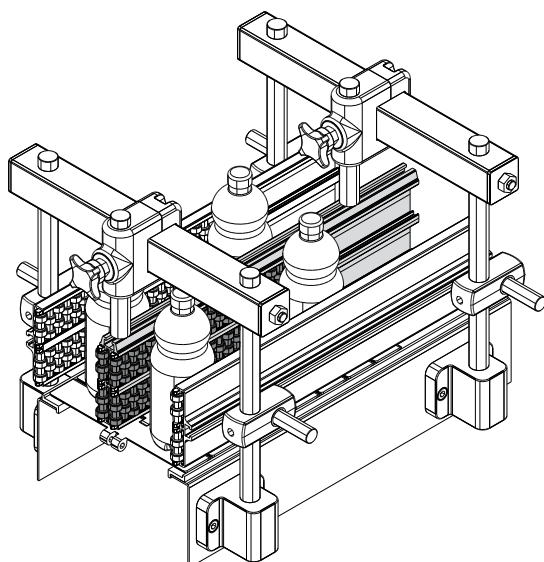
ON REQUEST:

- Roller central guide: In different colours.

Roller central guide with round rollers (double type, pitch of the rollers: 12 mm.)

Part. **358**

Example of application



Pins made of acetal	Pins made of stainless steel AISI 304
Code	Code
358 / 83476	358 / 84560

MATERIALS: Metal profile in anodized aluminium; rollers in grey polyethylene; support pins in white acetal or in stainless steel AISI 304.

FEATURES: Supplied already assembled, in bars of 3 meters length.
Min. curvature radius: 750 mm.

BOX QUANTITY: 2 bars of 3 meters (total 6 meters).

ON REQUEST:

- Roller central guide: In different colours.



Suitable for applications which require maximum robustness.