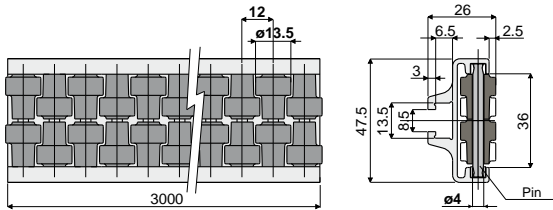


Product guides and accessories

Roller side guide with round rollers

Part. **355** (single type, pitch of the rollers: 12 mm.)



Pins made of acetal	Pins made of stainless steel AISI 304
Code	Code
355 / 83473	355 / 84557

MATERIALS: Metal profile in anodized aluminium; rollers in grey polyethylene; support pins in white acetal or in stainless steel AISI 304.

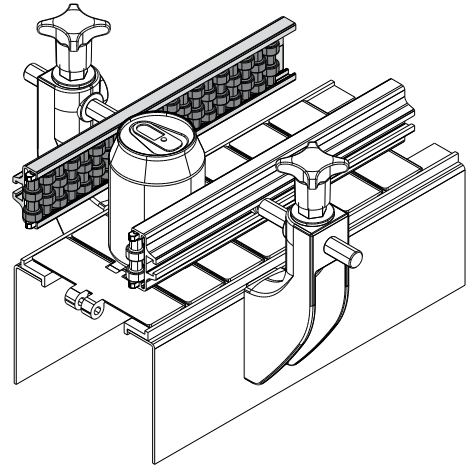
FEATURES: Supplied already assembled, in bars of 3 meters length. Min. curvature radius: 250 mm.

BOX QUANTITY: 2 bars of 3 meters (total 6 meters).

ON REQUEST:

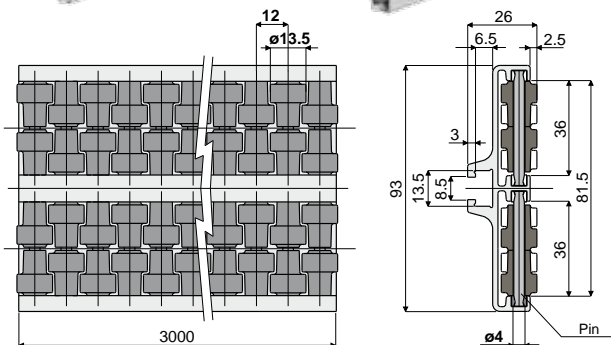
- Roller side guide: In different colours.

Example of application



Part. **356** Roller side guide with round rollers

(double type, pitch of the rollers: 12 mm.)



Pins made of acetal	Pins made of stainless steel AISI 304
Code	Code
356 / 83474	356 / 84558

MATERIALS: Metal profile in anodized aluminium; rollers in grey polyethylene; support pins in white acetal or in stainless steel AISI 304.

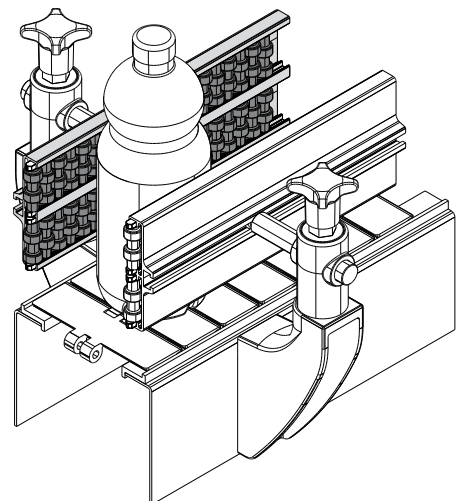
FEATURES: Supplied already assembled, in bars of 3 meters length. Min. curvature radius: 500 mm.

BOX QUANTITY: 2 bars of 3 meters (total 6 meters).

ON REQUEST:

- Roller side guide: In different colours.

Example of application



Suitable for applications which require maximum robustness.