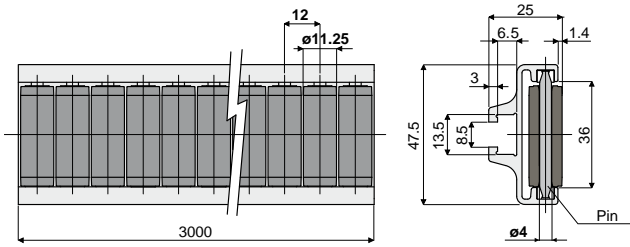


# Product guides and accessories

## Part. 325

**Roller side guide with cylinders**  
(single type, pitch of the rollers: 12 mm.)



Pins made of acetal	Pins made of stainless steel AISI 304
Code	Code
325 / 83003	325 / 84552

**MATERIALS:** Metal profile in anodized aluminium; rollers in grey polyethylene; support pins in white acetal or in stainless steel AISI 304.

**FEATURES:** Supplied already assembled, in bars of 3 meters length.

Min. curvature radius: 250 mm.

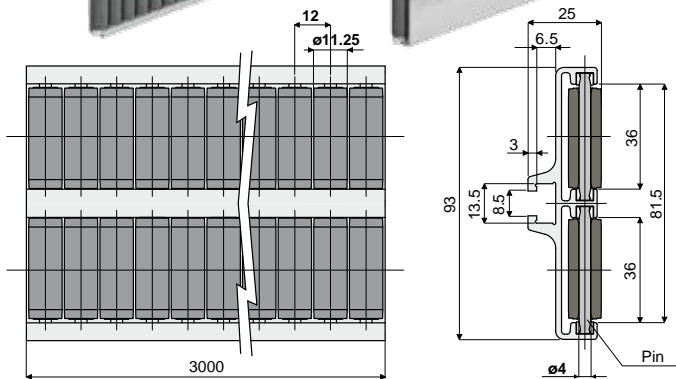
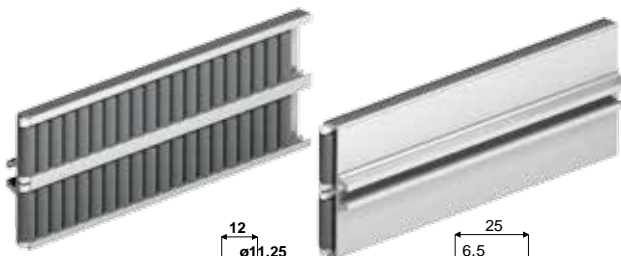
**BOX QUANTITY:** 2 bars of 3 meters (total 6 meters).

**ON REQUEST:**

- Roller side guide: In different colours.

## Part. 326

**Roller side guide with cylinders**  
(double type, pitch of the rollers: 12 mm.)



Pins made of acetal	Pins made of stainless steel AISI 304
Code	Code
326 / 83004	326 / 84553

**MATERIALS:** Metal profile in anodized aluminium; rollers in grey polyethylene; support pins in white acetal or in stainless steel AISI 304.

**FEATURES:** Supplied already assembled, in bars of 3 meters length.

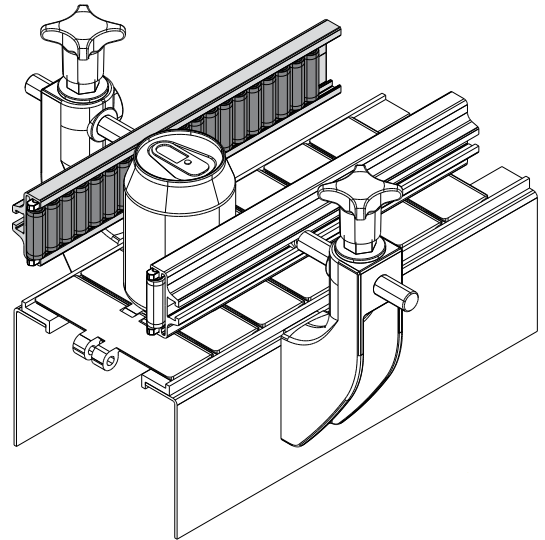
Min. curvature radius: 500 mm.

**BOX QUANTITY:** 2 bars of 3 meters (total 6 meters).

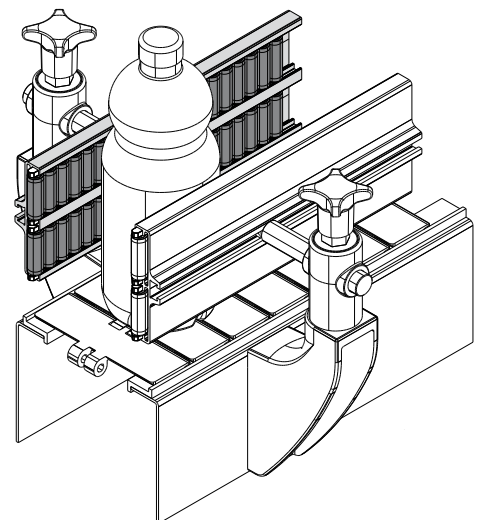
**ON REQUEST:**

- Roller side guide: In different colours.

Example of application



Example of application



Suitable for applications which require maximum robustness.