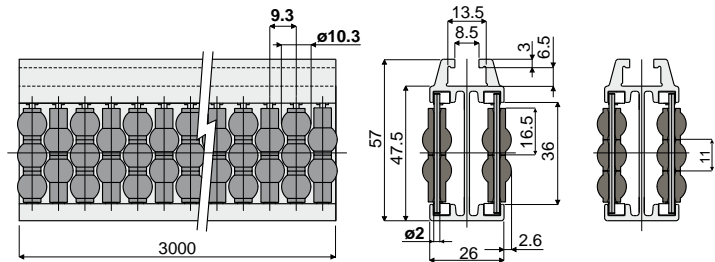
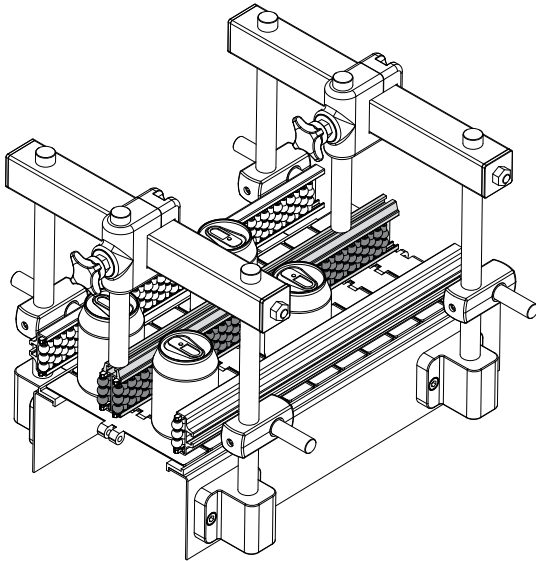


Product guides and accessories

Roller central guide with pearls (single type, pitch of the rollers: 9.3 mm.)

Part. **475**

Example of application



Code
475 / 85979

MATERIALS: Metal profile in anodized aluminium; rollers in grey polyethylene; support pins in stainless steel AISI 304.

FEATURES: The reduced pitch of the rollers guarantees the maximum smoothness of the product. Supplied already assembled, in bars of 3 meters length. Min. curvature radius: 500 mm.

BOX QUANTITY: 2 bars of 3 meters (total 6 meters).

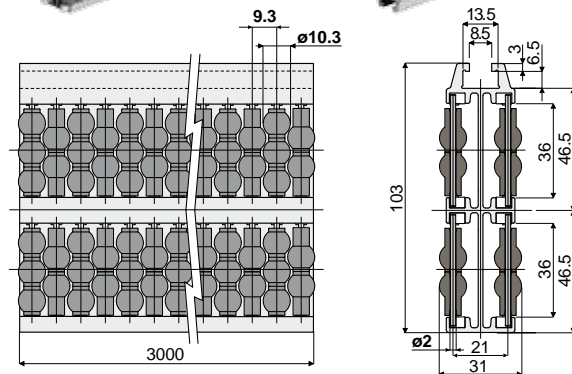
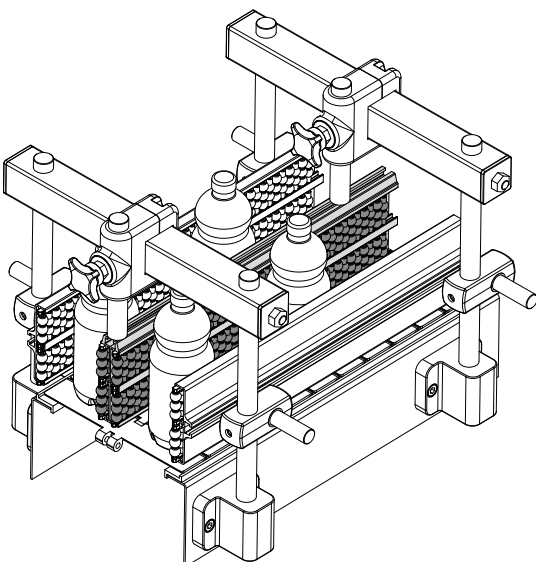
ON REQUEST:

- Roller central guide: In different colours.

Roller central guide with pearls (double type, pitch of the rollers: 9.3 mm.)

Part. **476**

Example of application



Code
476 / 85980

MATERIALS: Metal profile in anodized aluminium; rollers in grey polyethylene; support pins in stainless steel AISI 304.

FEATURES: The reduced pitch of the rollers guarantees the maximum smoothness of the product. Supplied already assembled, in bars of 3 meters length. Min. curvature radius: 750 mm.

BOX QUANTITY: 2 bars of 3 meters (total 6 meters).

ON REQUEST:

- Roller central guide: In different colours.



Suitable for applications which require maximum smoothness.