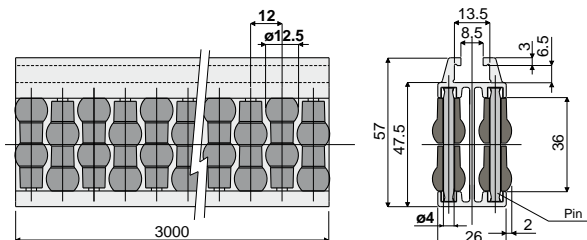
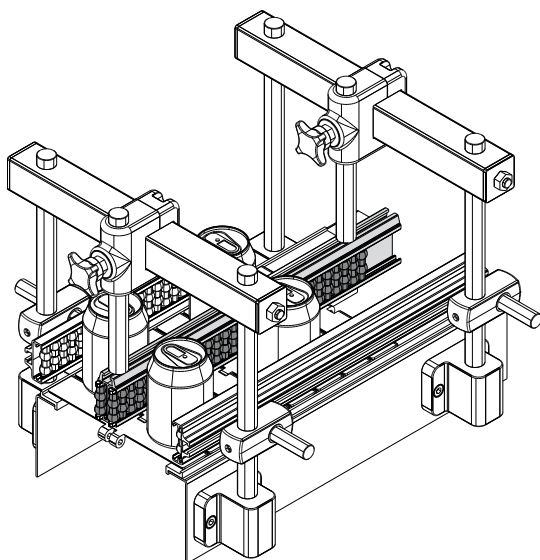


# Product guides and accessories

## Roller central guide with pearls (single type, pitch of the rollers: 12 mm.)

Part. **308**

Example of application



Pins made of acetal	Pins made of stainless steel AISI 304
Code	Code
308 / 82811	308 / 84550

**MATERIALS:** Metal profile in anodized aluminium; rollers in grey polyethylene; support pins in white acetal or in stainless steel AISI 304.

**FEATURES:** Supplied already assembled, in bars of 3 meters length. Min. curvature radius: 500 mm.

**BOX QUANTITY:** 2 bars of 3 meters (total 6 meters).

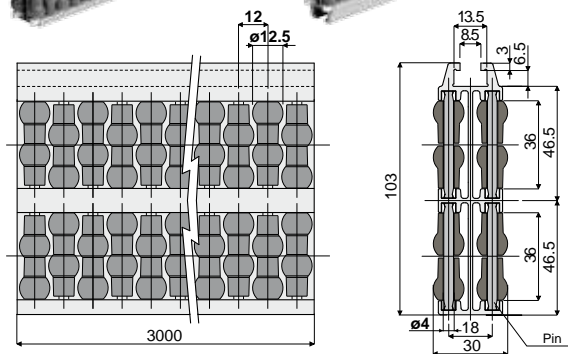
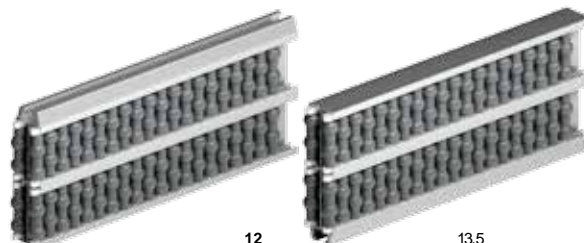
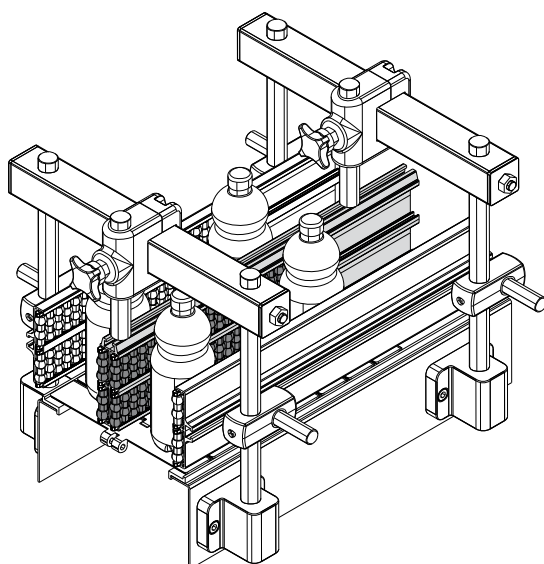
**ON REQUEST:**

- Roller central guide: In different colours.

## Roller central guide with pearls (double type, pitch of the rollers: 12 mm.)

Part. **319**

Example of application



Pins made of acetal	Pins made of stainless steel AISI 304
Code	Code
319 / 82916	319 / 84551

**MATERIALS:** Metal profile in anodized aluminium; rollers in grey polyethylene; support pins in white acetal or in stainless steel AISI 304.

**FEATURES:** Supplied already assembled, in bars of 3 meters length. Min. curvature radius: 750 mm.

**BOX QUANTITY:** 2 bars of 3 meters (total 6 meters).

**ON REQUEST:**

- Roller central guide: In different colours.



Suitable for applications which require maximum robustness.