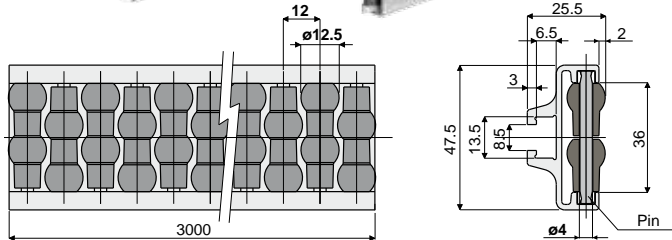
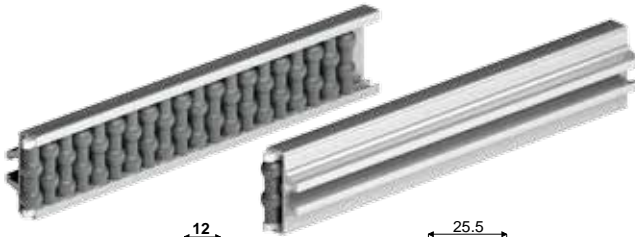


Product guides and accessories

Part. 306

Roller side guide with pearls
(single type, pitch of the rollers: 12 mm.)



Pins made of acetal	Pins made of stainless steel AISI 304
Code	Code
306 / 82809	306 / 84548

MATERIALS: Metal profile in anodized aluminium; rollers in grey polyethylene; support pins in white acetal or in stainless steel AISI 304.

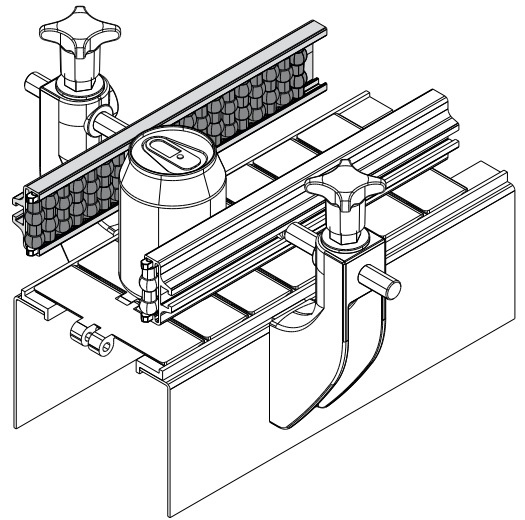
FEATURES: Supplied already assembled, in bars of 3 meters length.
Min. curvature radius: 250 mm.

BOX QUANTITY: 2 bars of 3 meters (total 6 meters).

ON REQUEST:

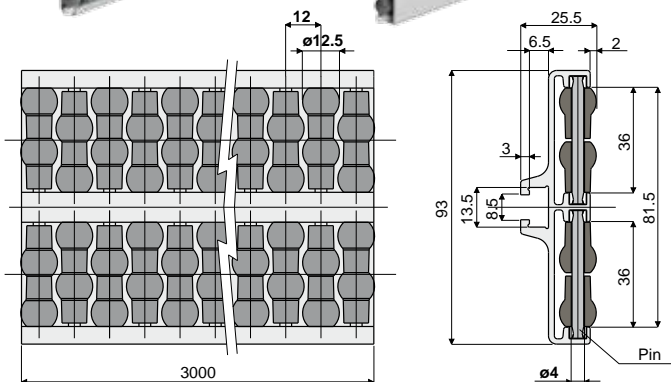
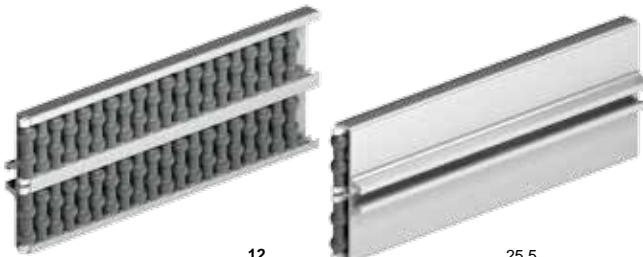
- Roller side guide: In different colours.

Example of application



Part. 307

Roller side guide with pearls
(double type, pitch of the rollers: 12 mm.)



Pins made of acetal	Pins made of stainless steel AISI 304
Code	Code
307 / 82810	307 / 84549

MATERIALS: Metal profile in anodized aluminium; rollers in grey polyethylene; support pins in white acetal or in stainless steel AISI 304.

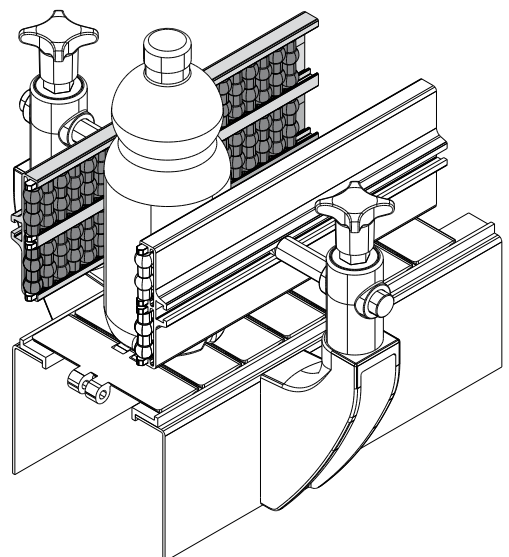
FEATURES: Supplied already assembled, in bars of 3 meters length.
Min. curvature radius: 500 mm.

BOX QUANTITY: 2 bars of 3 meters (total 6 meters).

ON REQUEST:

- Roller side guide: In different colours.

Example of application



Suitable for applications which require maximum robustness.