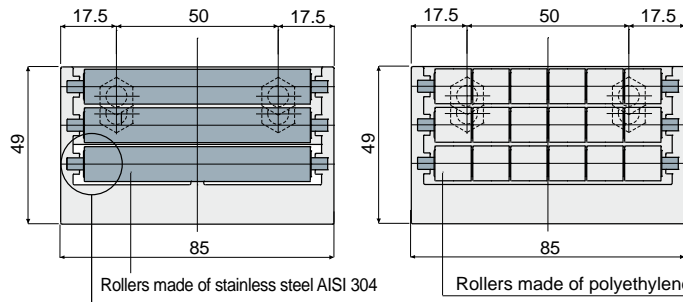


Modular transfer plates

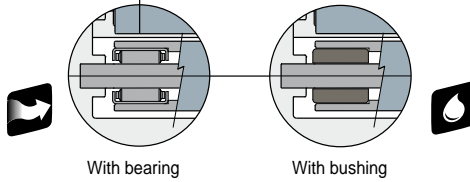
Part. 261

Modular transfer plates with lip
(width 85 mm 3 rows of rollers)



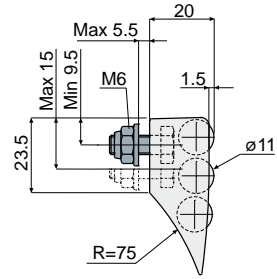
Rollers made of stainless steel AISI 304

Rollers made of polyethylene



With bearing

With bushing



Rollers made of stainless steel AISI 304	Rollers made of Polyethylene
With bearings	With bushings
Code	Code
261 / 85006	261 / 85810
	261 / 82001

MATERIALS: Modular transfer plate with external module made of grey colour acetal; rollers made of grey colour polyethylene or stainless steel AISI 304; bearings made of chrome steel; bushings made of auto-lubricating polyamide; pins and fixing nuts made of stainless steel AISI 304.

FEATURES: To be assembled at the end of your conveyor to help the products transfer. Low friction coefficient, minimum noise level, extremely cleanable. The versions with rollers made in stainless steel, are available both with bearings made of chrome steel or with bushings made of auto-lubricating polyamide which are suitable for applications in contact with water.

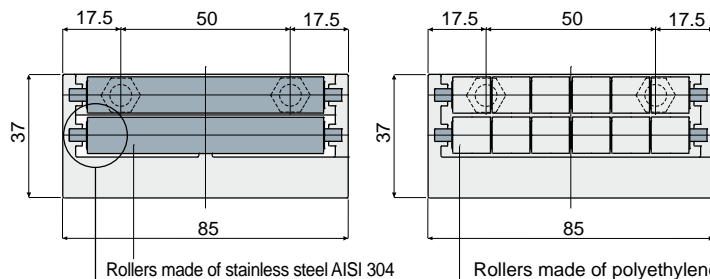
BOX QUANTITY: 8 pieces.

ON REQUEST:

- External module and rollers: In different colours.
- Box quantity: According to your request.

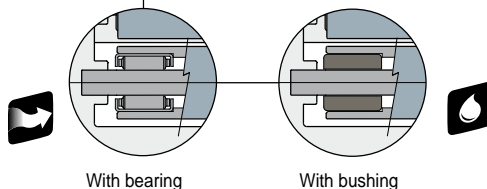
Part. 262

Modular transfer plates with lip
(width 85 mm 2 rows of rollers)



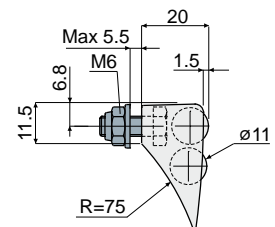
Rollers made of stainless steel AISI 304

Rollers made of polyethylene



With bearing

With bushing



Rollers made of stainless steel AISI 304	Rollers made of Polyethylene
With bearings	With bushings
Code	Code
262 / 85005	262 / 85811
	262 / 82000

MATERIALS: Modular transfer plate with external module made of grey colour acetal; rollers made of grey colour polyethylene or stainless steel AISI 304; bearings made of chrome steel; bushings made of auto-lubricating polyamide; pins and fixing nuts made of stainless steel AISI 304.

FEATURES: To be assembled at the end of your conveyor to help the products transfer. Low friction coefficient, minimum noise level, extremely cleanable. The versions with rollers made in stainless steel, are available both with bearings made of chrome steel or with bushings made of auto-lubricating polyamide which are suitable for applications in contact with water.

BOX QUANTITY: 8 pieces.

ON REQUEST:

- External module and rollers: In different colours.
- Box quantity: According to your request.



Suitable for applications which require maximum smoothness.



Suitable for applications in contact with water.