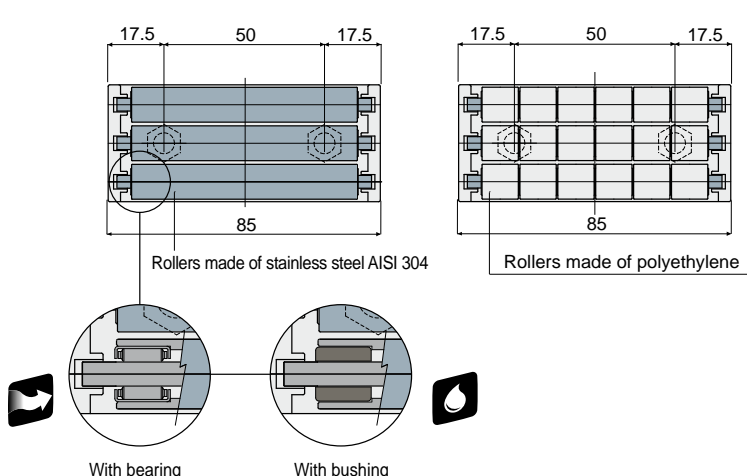


Modular transfer plates

Modular transfer plates without lip (width 85 mm 3 rows of rollers)

Part. **432**



Rollers made of stainless steel AISI 304 With bearings	Rollers made of Polyethylene With bushings	
Code	Code	Code
432 / 85082	432 / 85812	432 / 85086

MATERIALS: Modular transfer plate with external module made of grey colour acetal; rollers made of grey colour polyethylene or stainless steel AISI 304; bearings made of chrome steel; bushings made of auto-lubricating polyamide; pins and fixing nuts made of stainless steel AISI 304.

FEATURES: To be assembled at the end of your conveyor to help the products transfer. Low friction coefficient, minimum noise level, extremely cleanable. The versions with rollers made in stainless steel, are available both with bearings made of chrome steel or with bushings made of auto-lubricating polyamide which are suitable for applications in contact with water.

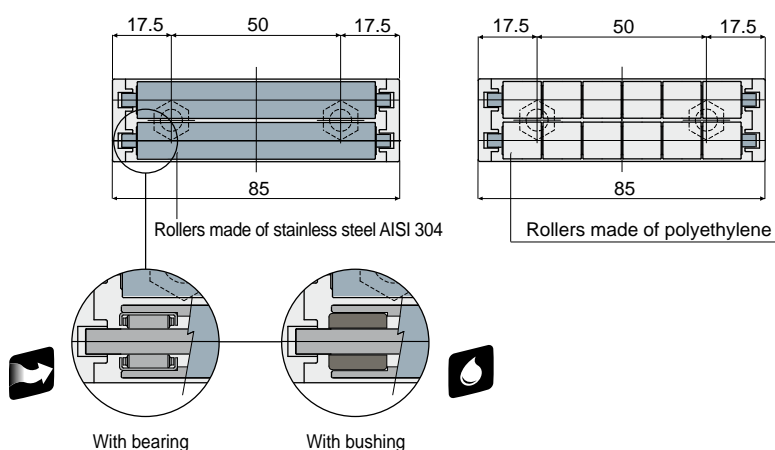
BOX QUANTITY: 8 pieces.

ON REQUEST:

- External module and rollers: Can be produced in other colours.
- Box quantity: According to your request.

Modular transfer plates without lip (width 85 mm 2 rows of rollers)

Part. **433**



Rollers made of stainless steel AISI 304 With bearings	Rollers made of Polyethylene With bushings	
Code	Code	Code
433 / 85083	433 / 85813	433 / 85087

MATERIALS: Modular transfer plate with external module made of grey colour acetal; rollers made of grey colour polyethylene or stainless steel AISI 304; bearings made of chrome steel; bushings made of auto-lubricating polyamide; pins and fixing nuts made of stainless steel AISI 304.

FEATURES: To be assembled at the end of your conveyor to help the products transfer. Low friction coefficient, minimum noise level, extremely cleanable. The versions with rollers made in stainless steel, are available both with bearings made of chrome steel or with bushings made of auto-lubricating polyamide which are suitable for applications in contact with water.

BOX QUANTITY: 8 pieces.

ON REQUEST:

- External module and rollers: Can be produced in other colours.
- Box quantity: According to your request.



Suitable for applications which require maximum smoothness.



Suitable for applications in contact with water.