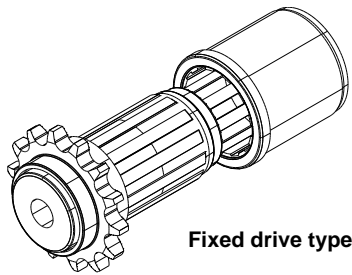
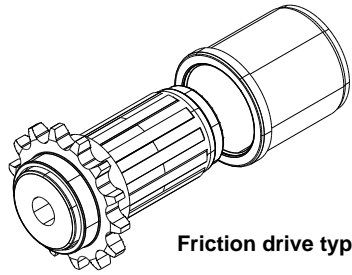


Bearing supports



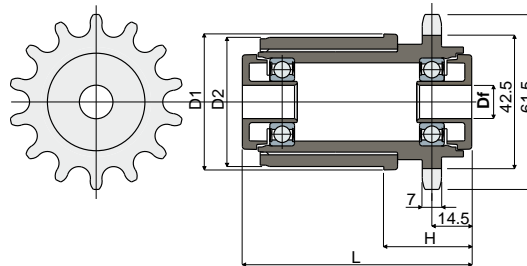
Fixed drive type



Friction drive type

14 teeth bearing support for conveyor rollers (for drive roller)

Part. **264**



Pressure fitted

Tube dimensions				Bore for pin		Fixed drive type	Friction drive type	Bearing type	Max Recommended load (N)		
Outside ø (mm)	Thickness (mm)	Inside ø (mm)	D1 (mm)	D2 (mm)	H (mm)	L (mm)	Df (mm)			Code	Code
50	1,5	47	50	47	32	83	12	264 / 82033	264 / 82217	6002-2RS	200
50	1,5	47	50	47	32	83	14	264 / 82215	264 / 82218	6002-2RS	
60	1,5	57	60	57	39	83	12	264 / 85074	264 / 84244	6002-2RS	
60	1,5	57	60	57	39	83	14	264 / 85075	264 / 84245	6002-2RS	
60	2	56	60	56	39	83	12	264 / 85076	264 / 84246	6002-2RS	
60	2	56	60	56	39	83	14	264 / 85077	264 / 84247	6002-2RS	
60	2,75	54,5	60	54,5	39	83	12	264 / 85078	264 / 84251	6002-2RS	
60	2,75	54,5	60	54,5	39	83	14	264 / 85079	264 / 84253	6002-2RS	

MATERIALS: Bearing support with protective shield made of polyamide grey colour; external bushing made of polyamide black colour; bearing made of chrome steel.

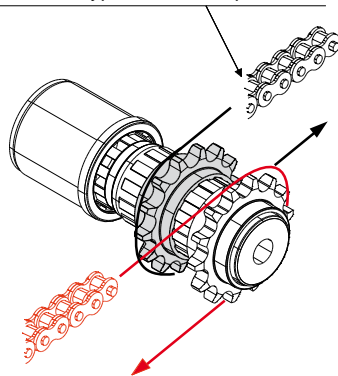
FEATURES: To be inserted in the tube sides to build a roller conveyor. Drive sprocket with 14 teeth for roller chain type DIN 8187-08-B1.

BOX QUANTITY: 24 pieces.

ON REQUEST:

- Bearing supports: In different colours.
- Box quantity: According to your request.

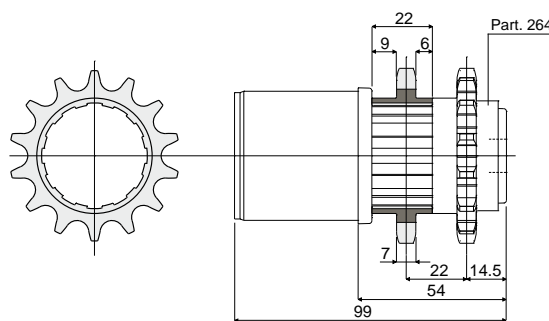
Roller chain type DIN 8187 tipo 08-B1



Example of assembly

14 teeth sprocket (for bearing support Part. 264)

Part. **265**



Code
265 / 82034

MATERIALS: Drive sprocket is made of polyamide black colour.

FEATURES: Accessory to be used with bearing support Part.264 to make the drive roller to roller. This drive type allows a greater torque.

BOX QUANTITY: 24 pieces.

ON REQUEST:

- Sprockets: In different colours.
- Box quantity: According to your request.