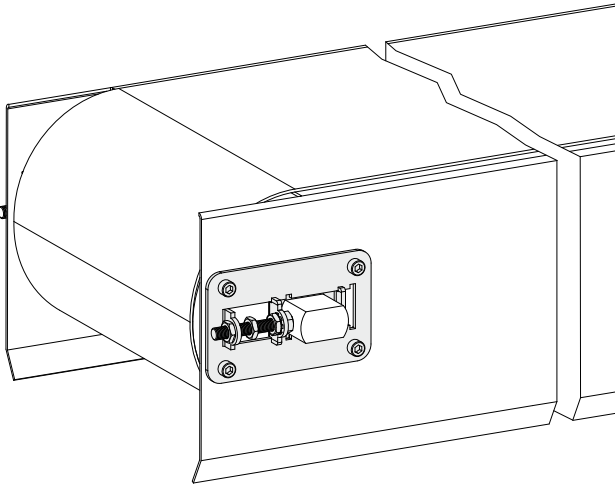
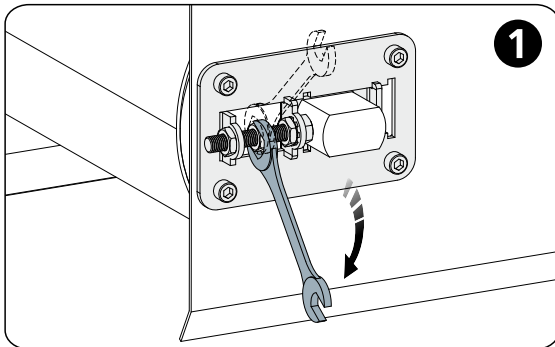


Chain tensioners

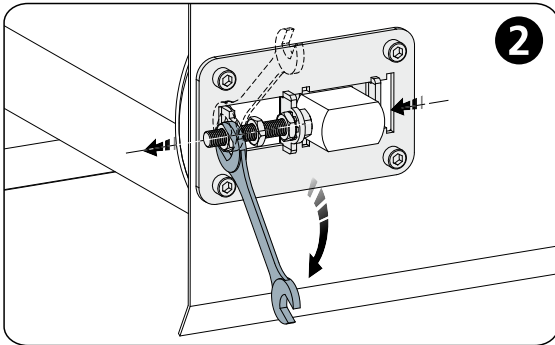
Example of application



Unscrew the lock



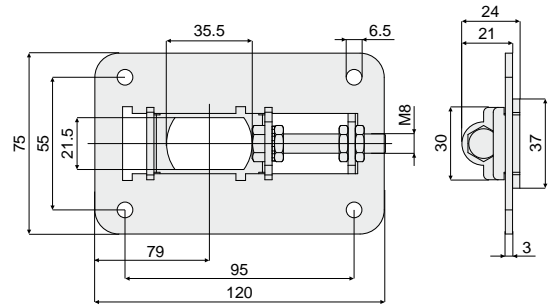
Screw to make the pulley advance



Chain tensioner for idler pulley Part. **554**



NEW



Code
554 / 90587

MATERIALS: Chain tensioner in stainless steel AISI 304.

FEATURES: For use in conveyor lines to tension conveyor belts by adjusting idler pulleys.

BOX QUANTITY: 2 pieces.

ON REQUEST:

- Box quantity: According to your request.