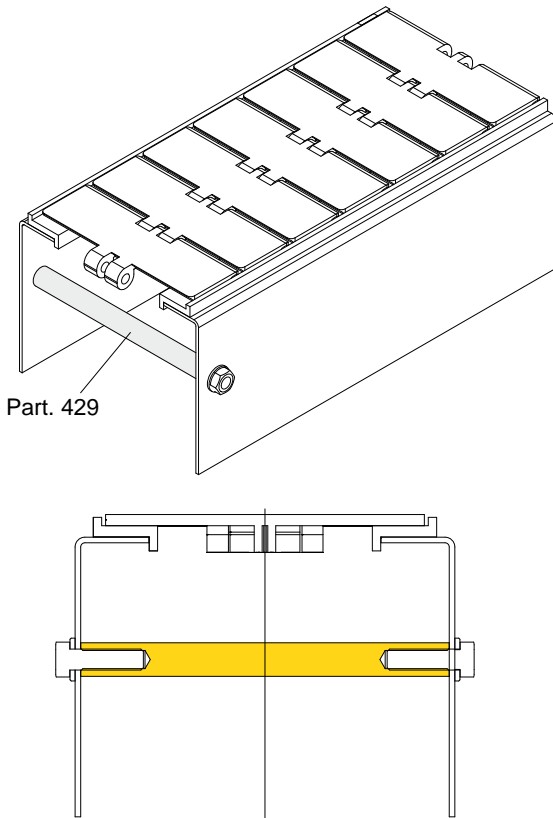
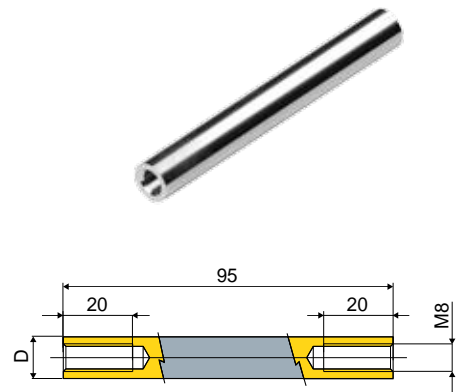


Accessories for the cross adjustment of the side guides

Example of application



Spacer Part. 429 (for conveyors' section)



D (mm)	Code
12	429 / 85065
16	429 / 85066

MATERIALS: Spacers in stainless steel AISI 304.

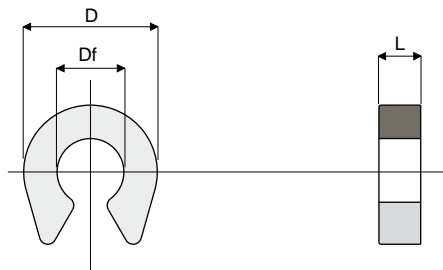
FEATURES: To be used to fix the frame in the conveyor system.

BOX QUANTITY: 24 pieces.

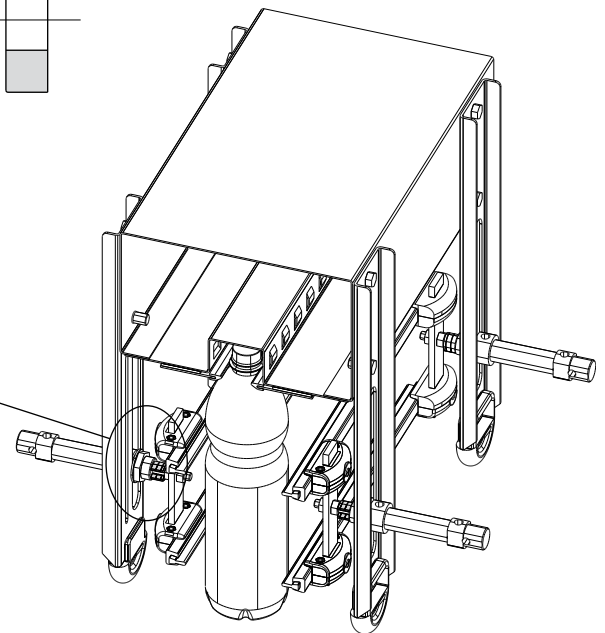
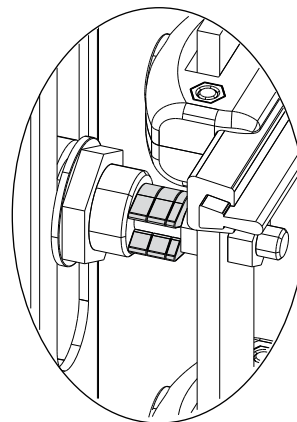
ON REQUEST:

- Box quantity: According to your request.

Spacer for rail-holder cylinder Part. 316



Df Bore diameter (mm)	D (mm)	L (mm)	Code
8	16	2,5	316 / 82871
8	16	5	316 / 82872



Example of application

MATERIALS: Spacer made of polyamide black colour.

FEATURES: To be used as spacer for the stroke regulation of rail-holder pneumatic cylinder. Snap-on assembly on 8 mm diameter spindles.

BOX QUANTITY: 96 pieces.

ON REQUEST:

- Box quantity: According to your request.