

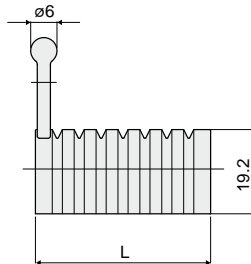
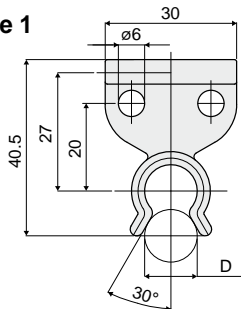
Accessories for the cross adjustment of the side guides

Spacer for guide rail pin

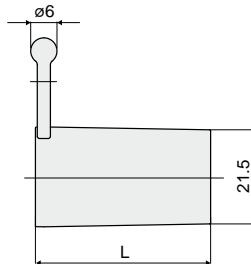
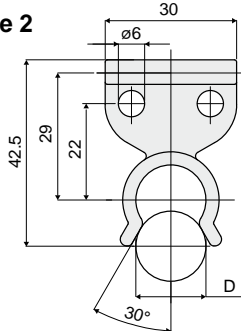
Part. **352**



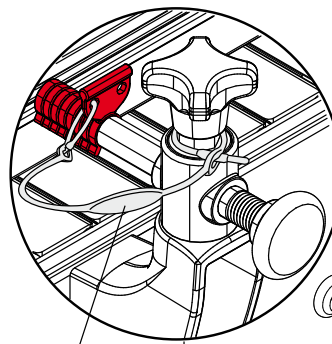
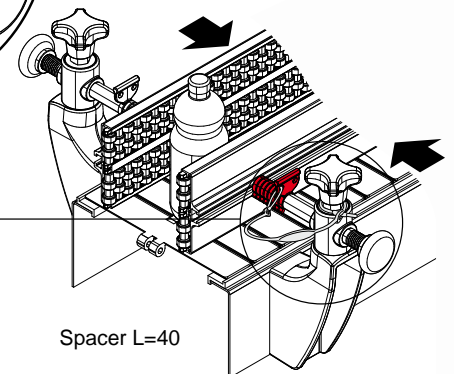
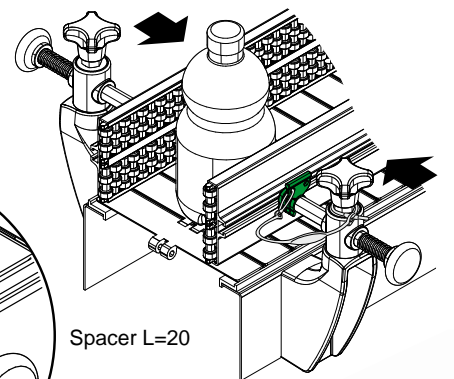
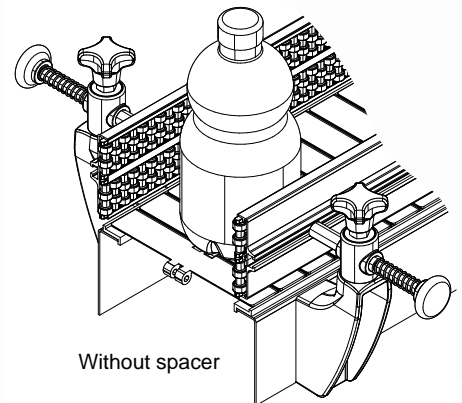
Type 1



Type 2



Example of applications



D (mm)	L (mm)	Colour	Type 1 Code
5		White RAL 9001	352 / 83419
10		Red RAL 3000	352 / 83420
15		Black RAL 9005	352 / 83421
20		Green RAL 6029	352 / 83422
25		Yellow RAL 1021	352 / 83423
30		Orange RAL 2004	352 / 83424
35		Blue RAL 5015	352 / 83425
12		White RAL 9001	352 / 83411
		Red RAL 3000	352 / 83412
		Black RAL 9005	352 / 83413
		Green RAL 6029	352 / 83414
40		Yellow RAL 1021	352 / 83415
		Orange RAL 2004	352 / 83416
		Blue RAL 5015	352 / 83417
		Grey RAL 7035	352 / 83418

D (mm)	L (mm)	Colour	Type 2 Code
		White RAL 9001	352 / 84444
		Red RAL 3000	352 / 84445
16	40	Green RAL 6029	352 / 84446
		Yellow RAL 1021	352 / 85569
		Blue RAL 5015	352 / 85570

MATERIALS: Spacer in polypropylene.

FEATURES: To be used to adjust the distance between the side guides.

Snap-on assembly. Available in different lengths and colours.

BOX QUANTITY: 24 pieces.

ON REQUEST:

- Box quantity: According to your request.