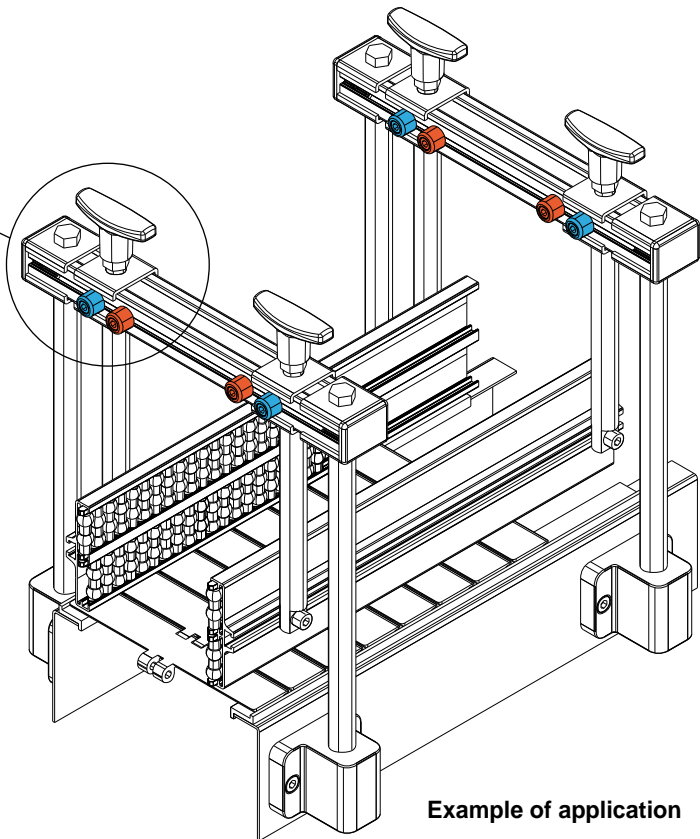
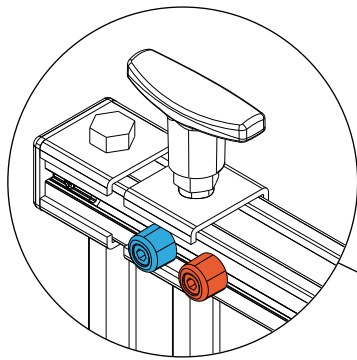
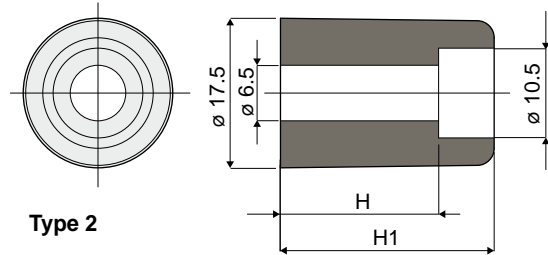
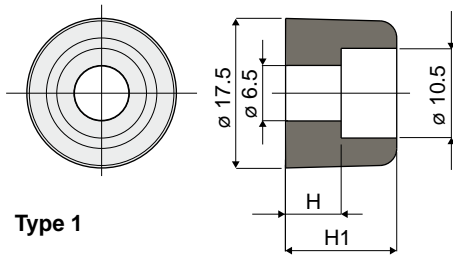


Accessories for the cross adjustment of the side guides

Part. 331 Reference peg for size changing



Colour	H (mm)	H1 (mm)	Type 1 Code
Black RAL 9005			331 / 83090
White RAL 9001			331 / 83091
Red RAL 3000			331 / 83092
Yellow RAL 1021			331 / 83093
Blue RAL 5015			331 / 83094
Green RAL 6029	6,5	13	331 / 83095
Mustard RAL 1027			331 / 83096
Orange RAL 2004			331 / 83097
Grey RAL 7035			331 / 83098
Pink RAL 3015			331 / 83099
Light blue RAL 6027			331 / 83100
Brown RAL 8001			331 / 83101

Colour	H (mm)	H1 (mm)	Type 2 Code
White RAL 9001			331 / 84479
Red RAL 3000			331 / 84480
Yellow RAL 1021	18,5	25	331 / 84483
Blue RAL 5015			331 / 84482
Green RAL 6029			331 / 84481

MATERIALS: Peg in reinforced polypropylene.

FEATURES: To be used as a reference on the transport guides for size changing.

BOX QUANTITY: 96 pieces.

ON REQUEST:

- Box quantity: According to your request.