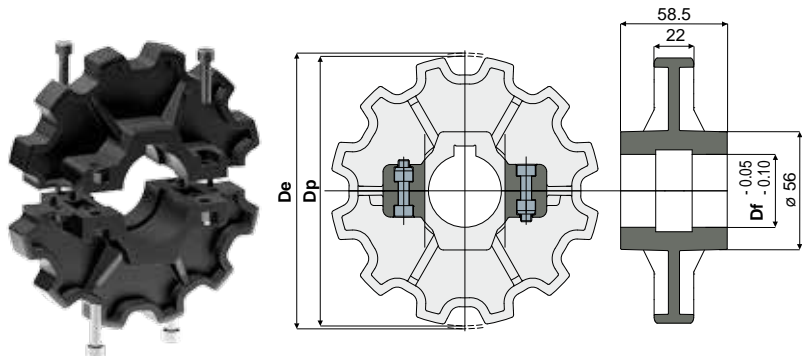


Idler wheels

Part. 473 Split sprocket 12 teeth (for chains series 882, 882 TAB)



Df (mm)	Dp (mm)	De (mm)	Code
25	147,2	149	473 / 85973
30	147,2	149	473 / 85974
35	147,2	149	473 / 85975
40	147,2	149	473 / 85976

MATERIALS: Wheel made of reinforced polyamide black colour; screws made of stainless steel AISI 304, nuts in nickel plated brass.

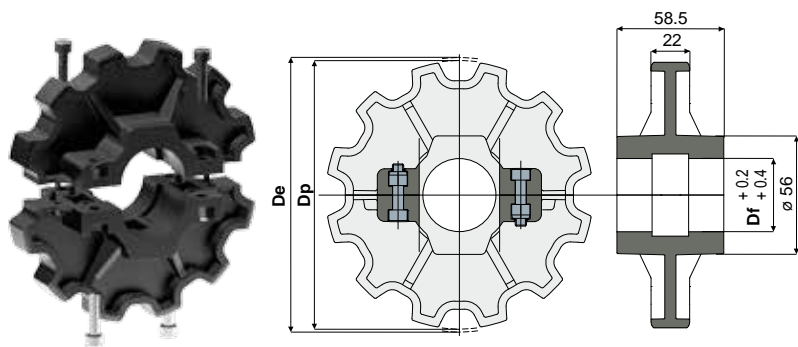
FEATURES: Dimensions of the keyway UNI 6604-69 - DIN 6885/1.

BOX QUANTITY: 8 pieces.

ON REQUEST:

- Wheels: In different colours.
- Box quantity: According to your request.

Part. 472 Split idler wheel 12 teeth (for chains series 882, 882 TAB)



Df (mm)	Dp (mm)	De (mm)	Code
25	147,2	149	472 / 85969
30	147,2	149	472 / 85970
35	147,2	149	472 / 85971
40	147,2	149	472 / 85972

MATERIALS: Wheel made of polyamide black colour; screws made of stainless steel AISI 304, nuts in nickel plated brass.

BOX QUANTITY: 8 pieces.

ON REQUEST:

- Wheels: In different colours.
- Box quantity: According to your request.

Example of application

