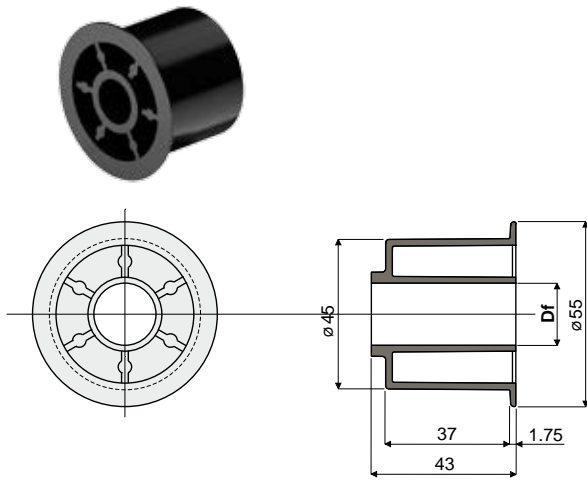


Return rollers

Part. 270 Roller for chain return (with flange)



Df Bore for pin of (mm)	Code
15	270 / 82042
20	270 / 82043

MATERIALS: Roller made of polyamide black colour.

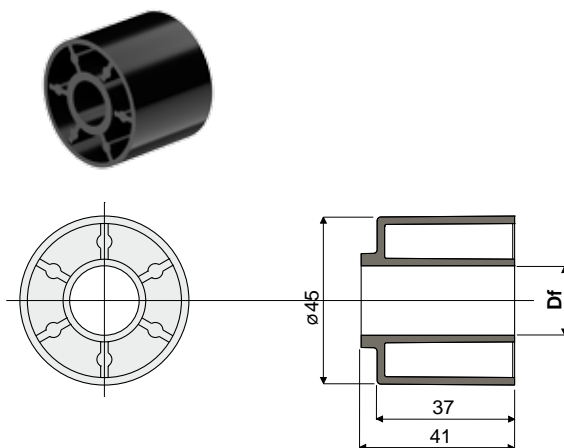
FEATURES: To be assembled in the chain return.

BOX QUANTITY: 96 pieces.

ON REQUEST:

- Rollers: In different colours.
- Box quantity: According to your request.

Part. 271 Roller for chain return (without flange)



Df Bore for pin of (mm)	Code
15	271 / 82044
20	271 / 82045

MATERIALS: Roller made of polyamide black colour.

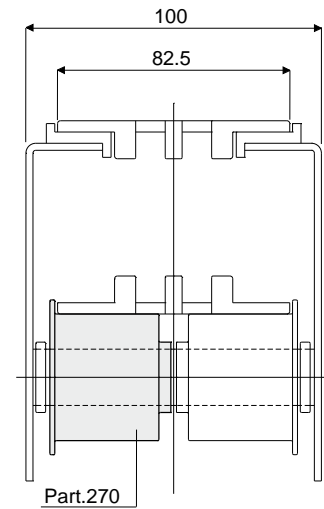
FEATURES: To be assembled in the chain return.

BOX QUANTITY: 96 pieces.

ON REQUEST:

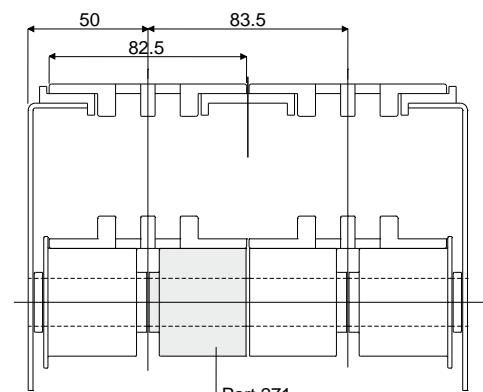
- Rollers: In different colours.
- Box quantity: According to your request.

Example of application



Part.270

Example of application



Part.271