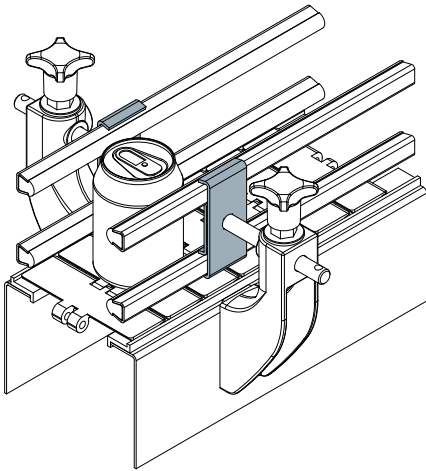
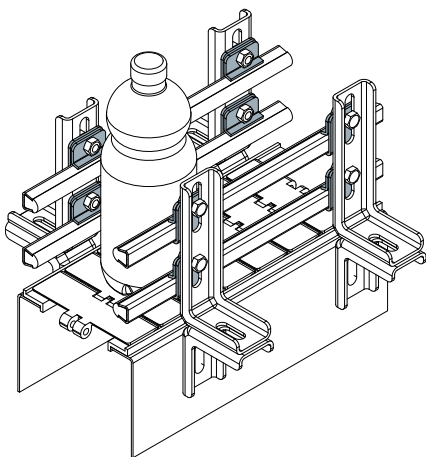


Guide rail clamps

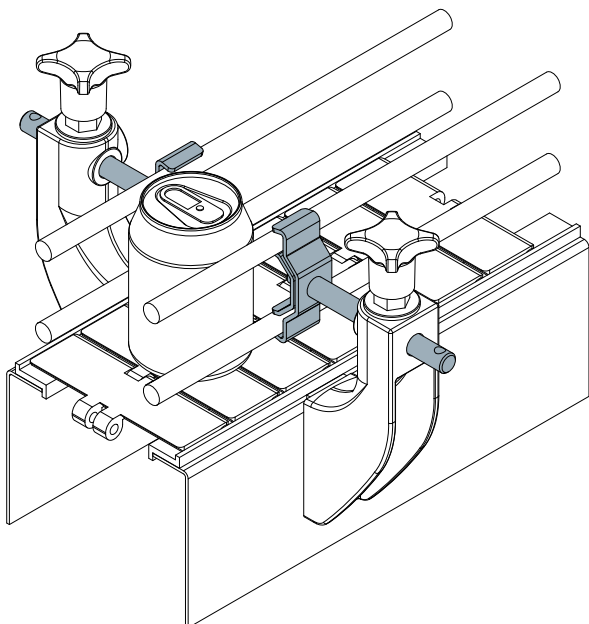
Example of application



Example of application

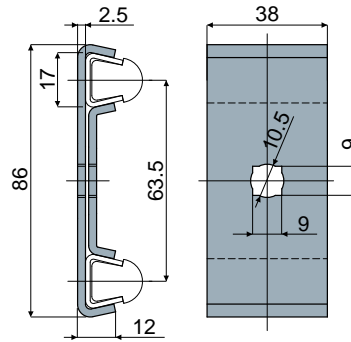


Example of application



Guide rail clamp (double)

Part. **410**



Code
410 / 84485

MATERIALS: Clamp made of stainless steel AISI 304.

FEATURES: With this item it is possible to use thickness 1,5 and 2 mm guides: Part.353, 354, 377, 418, 419, 420, 446, 469, 485, 514.

BOX QUANTITY: 24 pieces.

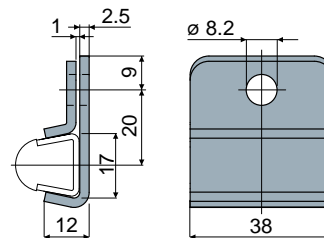
ON REQUEST:

- Box quantity: According to your request.



Guide rail clamp

Part. **411**



Code
411 / 84486

MATERIALS: Clamp made of stainless steel AISI 304.

FEATURES: With this item it is possible to use thickness 1,5 and 2 mm guides: Part.353, 354, 377, 418, 419, 420, 446, 469, 485, 514.

BOX QUANTITY: 24 pieces.

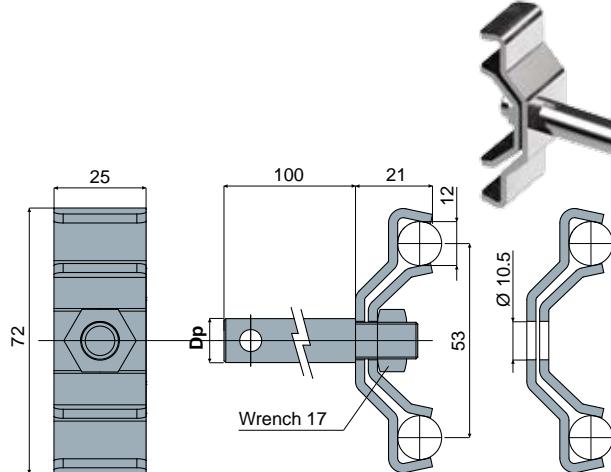
ON REQUEST:

- Box quantity: According to your request.



Guide rail clamp (for round rails)

Part. **405**



With pin

Without pin

Dp Pin diameter (mm)	With pin Code	Without pin Code
12	405 / 84327	
14	405 / 84442	405 / 85101
16	405 / 84443	

MATERIALS: Clamp, mounting plate, nut and threaded pin made of stainless steel AISI 304.

FEATURES: Supplied with or without pin.

BOX QUANTITY: 24 pieces.

ON REQUEST:

- Box quantity: According to your request.
- Assembly of: Bolts and nuts.